

May 2015
中文版



DMfit®



DMT
www.dmf.it.com



DMfit®

PUSH-IN TUBE FITTINGS



WRAS approval :
DMfit® complies with WRAS requirements of the United Kingdom Water Regulations.



US FDA approved materials :
DMfit® fittings are produced using FDA approved materials.



SK Zert, ANSI/NSF-51, 61 Certifications :
DMfit® fittings are suitable for contact with foodstuffs & drinking water.



ISO 9001/ISO14001 Certifications :
DMfit® fittings are produced under a registered ISO 9001 / ISO 14001 quality system.

ISO 9001 ISO 14001

Since our creation in 1987, we have taken a leading position in the plastic extruded casing industry because of our quality-first mindset, integrity and technical leadership.

Now, we have made a second bold leap - into the fittings business. The goal is to be a global leader, providing the best net value in fittings products to the entire range of fluid handling industries.



CONTENTS

TECHNICAL INFORMATION

Terms and Conditions	5
General Specifications	6

INCH SIZE PRODUCTS

Acetal Fittings (Gray)	8
Acetal Fittings (White)	14

METRIC SIZE PRODUCTS

Acetal Fittings (Black)	19
-------------------------------	----

POWER PRODUCTS

Acetal Power Fittings(Inch/Metric)	26
Clean Fittings	28

P-P PRODUCTS

Polypropylene Fittings	29
------------------------------	----

VALVE PRODUCTS

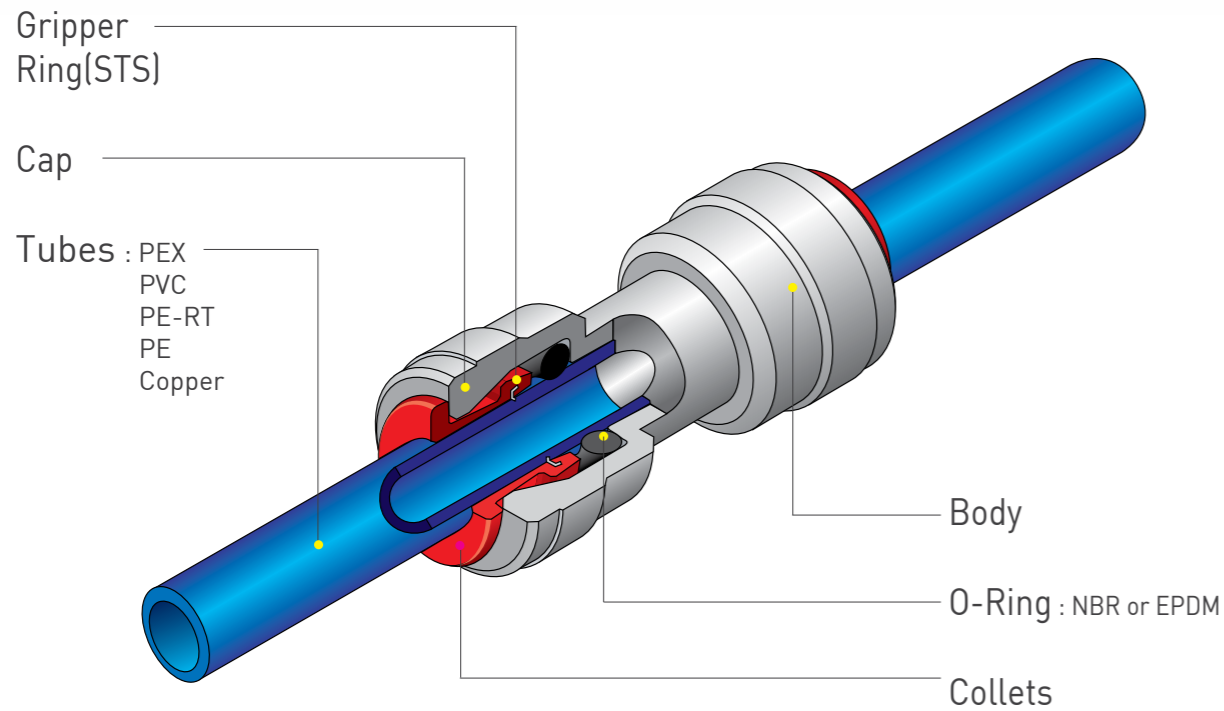
Stop & Faucet Adaptor Valves	34
Control Valves	36
Hand Valves	38
Check Valves	41
Stop Valves	42

OTHERS

Filter Strainers	43
Brass Fitting(Inch/Metric)	44
Cartridges	45
Full Cartridges	47
Accessories	48
LLDPE TUBES	50
Chemical Compatability	51



PUSH-IN TUBE FITTINGS



Material Standards

Material Options	Fittings Color	O-ring
A - acetal	Gray, Black, White	NBR / EPDM
P - polypropylene	White	
B - brass	brass, or chromed	

Fitting Working Pressure and Temperature

Temperature	Small Size						Large Size				28mm
	5/32"	3/16"	1/4"	5/16"	3/8"	1/2"	5/8"	7/8"	1"		
1°C (34°F)	16bar (230PSI)						11bar (170PSI)		11bar (170PSI)		
20°C (68°F)	16bar (230PSI)						11bar (170PSI)		11bar (170PSI)		
65°C (150°F)	10bar (150PSI)						7bar (100PSI)		7bar (100PSI)		

Outer Diameter Tolerance Limit of Tubing Used with Fittings

	Size	Tolerance
Small Size	5/32", 4mm	±0.004" (±0.1mm)
	3/16", 5mm	
	1/4", 6mm	
	5/16", 8mm	
	3/8", 10mm	
Large Size	1/2", 12mm	±0.004" (±0.1mm)
	5/8", 15(16)mm	
	7/8", 18(22)mm	
	28mm	

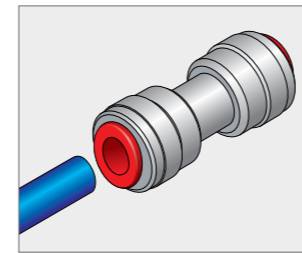
※ For use at higher temperatures or pressures, please contact your DMfit representative for assistance.

Maximum Permissible Torque

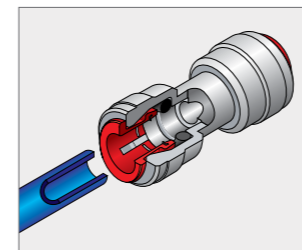
Torque		Thread		1/8", 1/4"		3/8", 1/2"		3/4"	
Plastic	Maximum Torque (Nm)	1.5		3.0		4.0			
	Steel	Maximum Torque (Nm)	7.0-9.0	12.0-14.0	22.0-24.0	28.0-30.0	40.0		

※ The above values are average maximum applied torque. Actual results may vary.

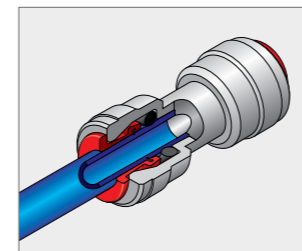
Installing DMfit Fittings



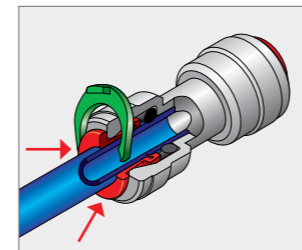
- Cut the part of the tube to be inserted into the fitting to plane the end.
- Make sure to use a clean tube without any foreign material or cracks.



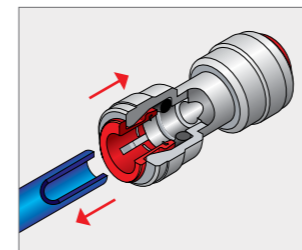
- When inserting the tube, remove any obstructions before fully inserting the tube. Make sure the tube is fully inserted.
- Inserting the tube into the fitting only takes moderate force. The tube or fitting should not be scratched or damaged in the process, as this is the main cause for water leaks later on.



- To make sure that the fitting is properly connected to the tube, pull it once. After pulling, insert a spanner under the collet and push the tube into the fitting once more for a complete insertion.



- When no play is desired for the fitting and tube, use our company's LC to eliminate the play of the fitting.



- Make sure to completely eliminate pressure before disassembling the fitting.
- When disassembling the tube, push the clip in direction of the main assembly and then pull the tube out for easy disassembling.
- Fittings and tubes can be reused.

Terms and Conditions

Please read, understand, and follow all instructions, precautions, and warnings prior to using Dmfit® products on pressurized systems. Failure to follow all instructions, precautions, and warnings may result in bodily harm or property damage.

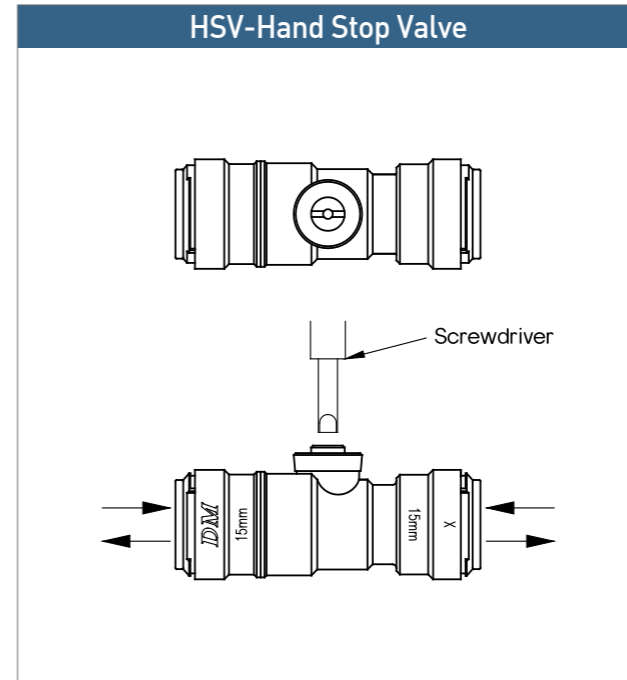
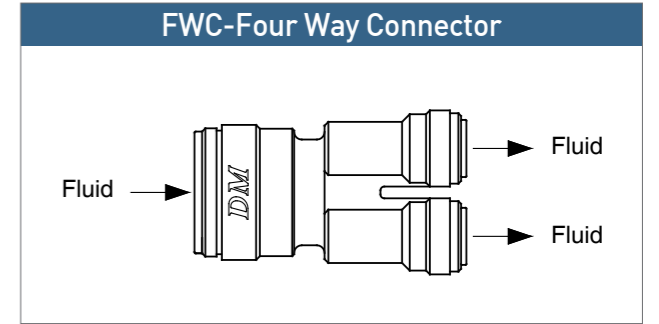
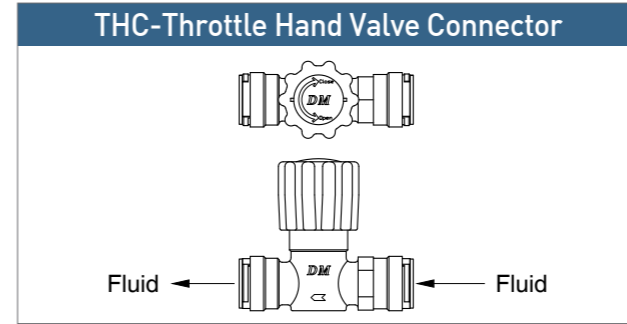
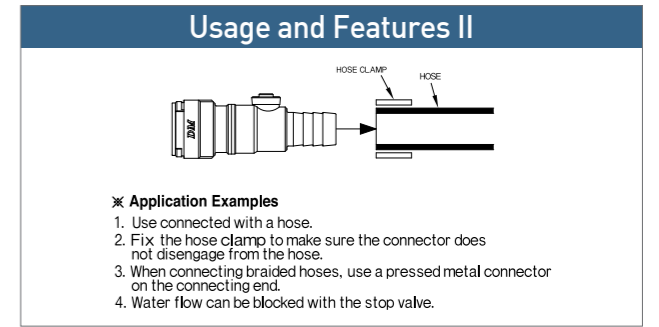
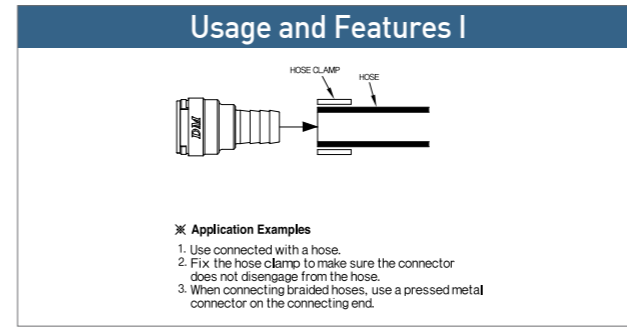
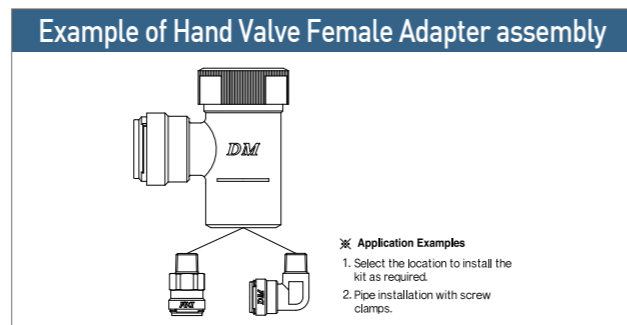
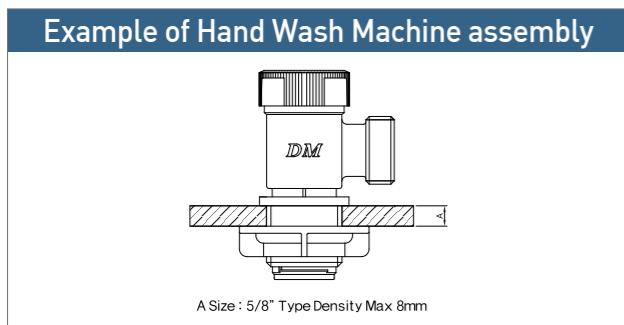
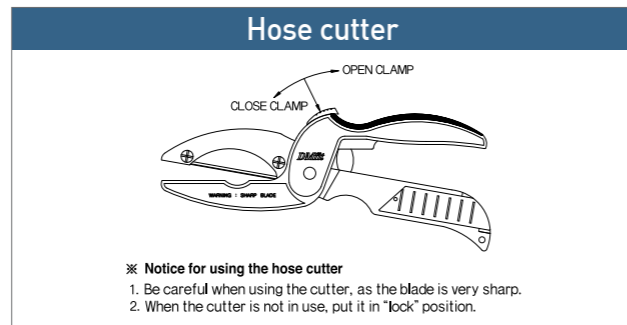
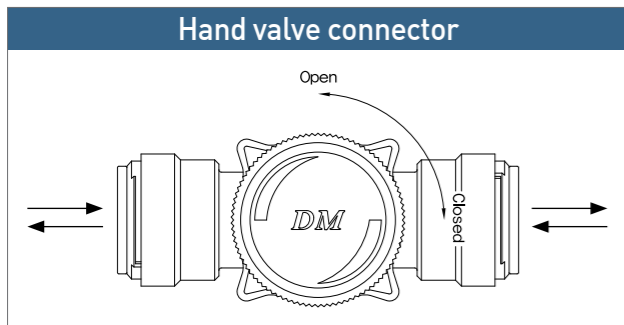
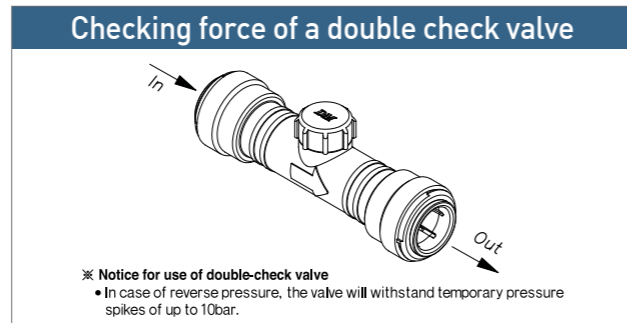
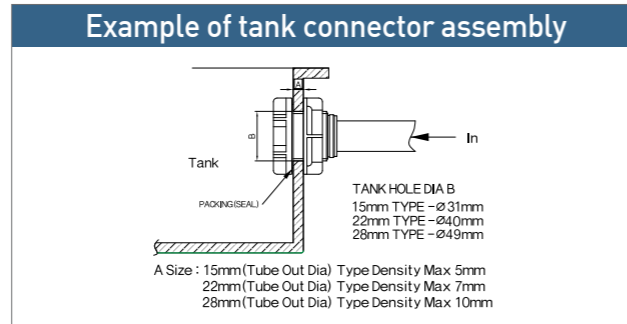
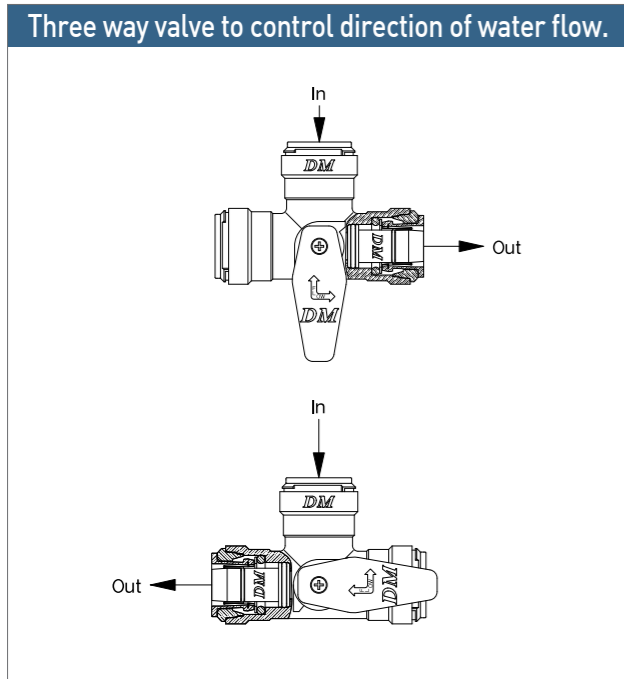
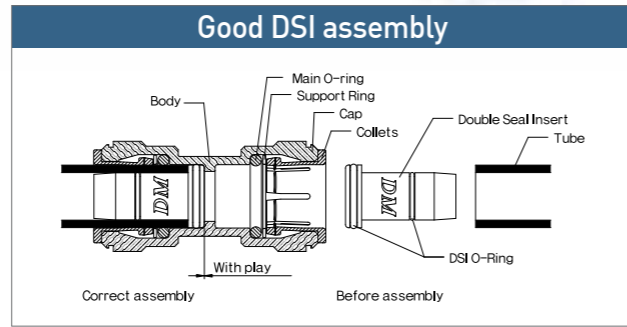
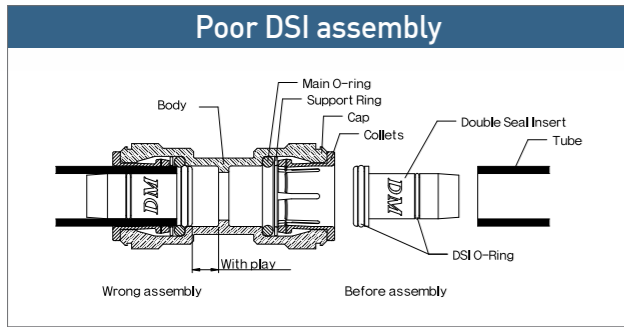
Warnings and Precautions

- ① Fittings are not recommended for use with liquids other than water and food or beverage products. Where fittings may be used with other chemicals contact DMT for advice.
- ② Do not disassemble or modify the individual product, as this may cause a product malfunction, leak, or failure and voids the product warranty.
- ③ Do not over-stress the fitting by rotation, twist, bending, shock, fatigue, or other excess force. This may damage the fitting and cause malfunction, leak, or failure and voids the product warranty.
- ④ Do not use the product where ambient temperature or fluid temperature may exceed 65°C(150°F) in domestic environment Food & Drink, industrial Pneumatic. This may damage the fitting and cause malfunction, leak, or failure.
- ⑤ Do not use pipe dope or other liquid thread sealers. Use only Teflon tape to seal threaded connections.
- ⑥ If your plumbed line is used as an electrical ground, you must use a jumper wire to provide continuity across plastic fittings and tubing.
- ⑦ Never press collets toward the body unless attempting to separate tubing from a fitting in an unpressurized line. The use of the DMfit® Locking Clip is advised to restrict inadvertent disassembly of connections.
- ⑧ DMT reserves the right to modify the product from time-to-time as required for quality improvement and per market requirements. Actual product may differ from pictures shown.
- ⑨ Connecting DMfit® products to tubing or connecting elements other than DMfit® products is not warranted for performance. Always perform any checks and testing necessary to verify acceptable function.
- ⑩ Before making any tube connection, verify that the end of the tube has been cut squarely and there are no scratches on the tube O.D within 30mm of the end.
- ⑪ When making a tube connection, occasionally a gripping of the tube may occur just as the tube begins to pass through the o-ring, although the seal is not yet made. In this case, push the tube deeply once more to complete assembly of the connection. Failure to completely seat the tube into the fitting may cause a leak.
- ⑫ When using metallic tubing, de-burr the tube ends to avoid potential cutting or other damage to the o-ring.
- ⑬ After assembling a tube connection, tug with moderate force to check for proper gripping of the tube.
- ⑭ Before disassembling tube connections, always verify that pressure has been removed from the system.
- ⑮ When disassembling tube connections, always press the collet evenly toward the body and then pull the tube. If a locking clip is used, remove the locking clip before attempting to separate a tube connection.
- ⑯ When tightening threaded fittings, use care not to over-torque the fitting as this may damage the fitting and cause a leak or other failure.
- ⑰ TS(Tube Support) supports to soft tube and tube at 65°C(150°F) of ambient and fluid temperature.
- ⑱ Our threaded fittings should be complied with our specification. (ref. page4)

Material Characteristics

- **Acetal** : Also known as POM. Highly durable and resistant to fatigue and creep. It has high resistance to a wide range of organic & inorganic chemicals and detergents. Not recommended for use with strong acids or repeated exposure to strong oxidizers.
- **Polypropylene** : Has excellent chemical resistance, cold endurance, and high tolerance to oxidizers.

PUSH-IN TUBE FITTINGS

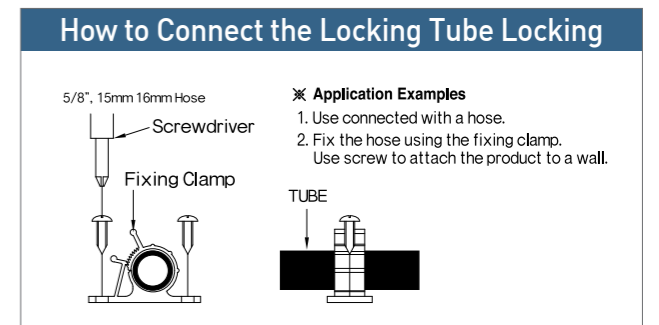
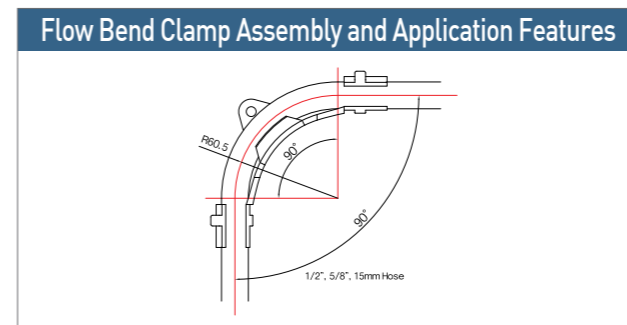


DMfit Fitting Standard Anatomy

● All diagrams are based on the UC0808 product.

No.	Part Name	Material	Q'ty	Remark
1	Collets	Acetal	2	
2	Support Ring	Acetal	2	
3	O-ring	NBR	2	
4	Body	Acetal	1	

■ Exceptional, Small sizes don't have Sup-Ring in the body.



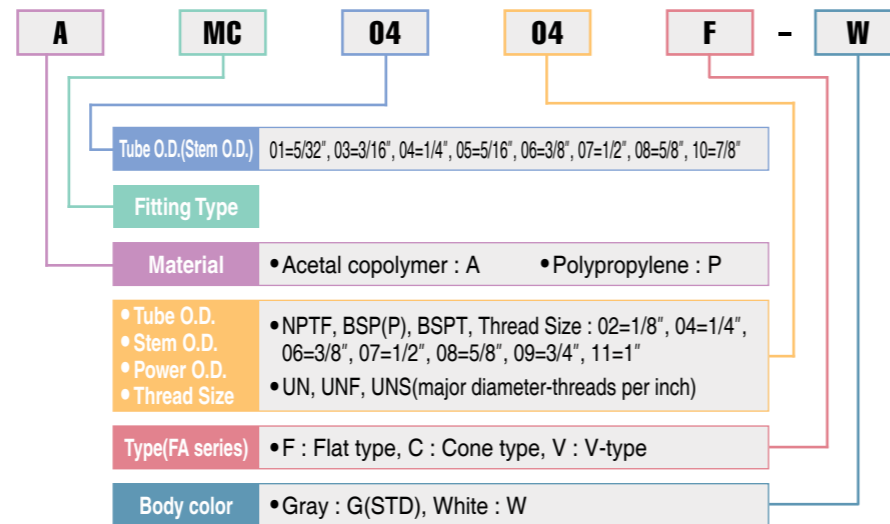
ACETAL FITTINGS (GRAY / INCH)



■ Suitable for

- **水行业以及食品行业**：DMT接头无毒安全，并且得到美国FDA, WRAS, ANSI/NSF-51, 61和SK ZERT的认证。其广泛应用于纯水行业，食品饮料行业以及医疗行业。
- **功能&质量**：DMT接头以其操作快捷，使用方便，并节约时间和成本而著称。ISO9001, 14001认证也保证了客户对产品质量的高要求。
- **卡扣设计**：DMT接头独一无二的椭圆形卡扣设计更加实用。更能满足全球各行业客户的需求。
- **应用**：除了水和食品外，接头还能用于空气，气体，真空以及液体上。所有的管接件可以充分的组装与拆卸。
- **颜色**：灰色乙缩醛

Part Numbering System



MC - 快插外牙直接

PART NO.	Tube O.D.	NPTF Thread	
		NPTF Thread	Qty / Box
AMC 0102	5/32	1/8	500
AMC 0104	5/32	1/4	500
AMC 0302	3/16	1/8	500
AMC 0402	1/4	1/8	400
AMC 0404	1/4	1/4	350
AMC 0406	1/4	3/8	300
AMC 0407	1/4	1/2	150
AMC 0502	5/16	1/8	400
AMC 0504	5/16	1/4	400
AMC 0506	5/16	3/8	350
AMC 0602	3/8	1/8	300
AMC 0604	3/8	1/4	300
AMC 0606	3/8	3/8	250
AMC 0607	3/8	1/2	200
AMC 0706	1/2	3/8	200
AMC 0707	1/2	1/2	150

MCB - 快插外牙直接

PART NO.	Tube O.D.	BSP(P) Thread	
		BSP(P) Thread	Qty / Box
AMCB 0102	5/32	1/8	500
AMCB 0104	5/32	1/4	500
AMCB 0302	3/16	1/8	500
AMCB 0304	3/16	1/4	400
AMCB 0402	1/4	1/8	400
AMCB 0404	1/4	1/4	400
AMCB 0502	5/16	1/8	400
AMCB 0504	5/16	1/4	400
AMCB 0506	5/16	3/8	250
AMCB 0602	3/8	1/8	300
AMCB 0604	3/8	1/4	250
AMCB 0606	3/8	3/8	250
AMCB 0607	3/8	1/2	200
AMCB 0706	1/2	3/8	200
AMCB 0707	1/2	1/2	150

MCBB - 快插外牙直接

PART NO.	Tube O.D.	BSP(P) Thread	
		BSP(P) Thread	Qty / Box
AMCBB 0602	3/8	1/8	300
AMCBB 0604	3/8	1/4	300

MCW - 快插外牙直接

PART NO.	Tube O.D.	BSW Thread	
		BSW Thread	Qty / Box
AMCW 04 9/16	1/4	9/16	400
AMCW 05 07	5/16	1/2	250
AMCW 05 9/16	5/16	9/16	250
AMCW 06 07	3/8	1/2	200
AMCW 06 9/16	3/8	9/16	200

ME - 快插外牙弯接

PART NO.	Tube O.D.	NPTF Thread	
		NPTF Thread	Qty / Box
AME 0302	3/16	1/8	500
AME 0402	1/4	1/8	500
AME 0404	1/4	1/4	350
AME 0406	1/4	3/8	300
AME 0504	5/16	1/4	300
AME 0506	5/16	3/8	250
AME 0604	3/8	1/4	250
AME 0606	3/8	3/8	250
AME 0706	1/2	3/8	200
AME 0707	1/2	1/2	150

MES - 快插外牙活动弯接

PART NO.	Tube O.D.	NPTF Thread	
		NPTF Thread	Qty / Box
AMES 0102	5/32	1/8	500
AMES 0104	5/32	1/4	400
AMES 0302	3/16	1/8	500
AMES 0402	1/4	1/8	300
AMES 0404	1/4	1/4	250
AMES 0502	5/16	1/8	200
AMES 0504	5/16	1/4	200
AMES 0506	5/16	3/8	200
AMES 0604	3/8	1/4	150
AMES 0606	3/8	3/8	100
AMES 0706	1/2	3/8	100
AMES 0707	1/2	1/2	100

MCBT - 快插外牙直接

PART NO.	Tube O.D.	BSPT(PT) Thread	
		BSPT(PT) Thread	Qty / Box
AMCBT 0102	5/32	1/8	500
AMCBT 0104	5/32	1/4	500
AMCBT 0302	3/16	1/8	500
AMCBT 0304	3/16	1/4	500
AMCBT 0402	1/4	1/8	500
AMCBT 0404	1/4	1/4	400
AMCBT 0406	1/4	3/8	300
AMCBT 0407	1/4	1/2	200
AMCBT 0502	5/16	1/8	400
AMCBT 0504	5/16	1/4	400
AMCBT 0506	5/16	3/8	350
AMCBT 0602	3/8	1/8	300
AMCBT 0604	3/8	1/4	300
AMCBT 0606	3/8	3/8	300
AMCBT 0607	3/8	1/2	200
AMCBT 0706	1/2	3/8	200
AMCBT 0707	1/2	1/2	150

SAB - 快插外牙直接

PART NO.	Stem O.D.	BSP(P) Thread	
		BSP(P) Thread	Qty / Box
ASAB 0604	3/8	1/4	400
ASAB 0606	3/8	3/8	250
ASAB 0607	3/8	1/2	200
ASAB 0707	1/2	1/2	150

MCF - 快插外牙直接

PART NO.	Tube O.D.	MFL Thread	
		MFL Thread	Qty / Box
AMCF 0505	5/16	5/16	300
AMCF 0604	3/8	1/4	300
AMCF 0507N	5/16	1/2	300
AMCF 0607N	3/8	1/2	300

- MFL Thread
MFL 1/4 Corresponds to a 7/16 - 20 UNF
MFL 5/16 Corresponds to a 1/2 - 20 UNF
MFL 3/8 Corresponds to a 5/8 - 18 UNF
MFL 1/2 Corresponds to a 3/4 - 16 UNF

EU - 弯通

PART NO.	Tube O.D.	Tube O.D.		Qty / Box
		Tube O.D.	Tube O.D.	
AEU 0101	5/32	5/32	700	
AEU 0303	3/16	3/16	700	
AEU 0404	1/4	1/4	350	
AEU 0501	5/16	5/32	400	
AEU 0503	5/16	3/16	400	
AEU 0504	5/16	1/4	300	
AEU 0505	5/16	5/16	300	
AEU 0603	3/8	3/16	200	
AEU 0604	3/8	1/4	200	
AEU 0605	3/8	5/16	200	
AEU 0606	3/8	3/8	200	
AEU 0704	1/2	1/4	150	
AEU 0705	1/2	5/16	150	
AEU 0706	1/2	3/8	150	
AEU 0707	1/2	1/2	150	

ACETAL FITTINGS (GRAY / INCH)

TEU - 快插硬插弯接



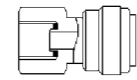
PART NO.	Tube O.D.	Stem O.D.	Qty / Box
ATEU 0101	5/32	5/32	800
ATEU 0303	3/16	3/16	600
ATEU 0306	3/16	3/8	500
ATEU 0404	1/4	1/4	500
ATEU 0406	1/4	3/8	400
ATEU 0505	5/16	5/16	350
ATEU 0506	5/16	3/8	350
ATEU 0606	3/8	3/8	250
ATEU 0607	3/8	1/2	200
ATEU 0707	1/2	1/2	150

FAU - 快插内牙直接

UNS Thread (Cone Type)



PART NO.	Tube O.D.	UNS Thread	Qty / Box
AFAU 04 7/16C	1/4	7/16 - 24	400
AFAU 05 7/16C	5/16	7/16 - 24	350
AFAU 06 7/16C	3/8	7/16 - 24	300



SA - 快插外牙直接

NPTF Thread



PART NO.	Stem O.D.	NPTF Thread	Qty / Box
ASA 0102	5/32	1/8	800
ASA 0104	5/32	1/4	500
ASA 0302	3/16	1/8	800
ASA 0402	1/4	1/8	500
ASA 0404	1/4	1/4	500
ASA 0502	5/16	1/8	500
ASA 0504	5/16	1/4	400
ASA 0506	5/16	3/8	300
ASA 0604	3/8	1/4	300
ASA 0606	3/8	3/8	300
ASA 0706	1/2	3/8	250
ASA 0707	1/2	1/2	150

TBC - 硬插宝塔直接



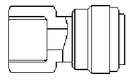
PART NO.	Stem O.D.	Tube I.D.	Qty / Box
ATBC 0403	1/4	3/16	1000
ATBC 0404	1/4	1/4	1000
ATBC 0405	1/4	5/16	800
ATBC 0503	5/16	3/16	800
ATBC 0504	5/16	1/4	800
ATBC 0505	5/16	5/16	700
ATBC 0506	5/16	3/8	700
ATBC 0604	3/8	1/4	500
ATBC 0605	3/8	5/16	500
ATBC 0606	3/8	3/8	400
ATBC 0607	3/8	1/2	300
ATBC 0706	1/2	3/8	300
ATBC 0707	1/2	1/2	300

FA - 快插内牙直接

NPTF Thread



PART NO.	Tube O.D.	NPTF Thread	Qty / Box
AFA 0402	1/4	1/8	400
AFA 0404	1/4	1/4	400
AFA 0502	5/16	1/8	300
AFA 0504	5/16	1/4	300
AFA 0602	3/8	1/8	300
AFA 0604	3/8	1/4	300

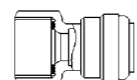


FAB - 快插内牙直接

BSP(P) Thread (Flat Type)



PART NO.	Tube O.D.	BSP(P) Thread	Qty / Box
AFAB 0508F	5/16	5/8	150
AFAB 0507F	5/16	1/2	250
AFAB 0607F	3/8	1/2	200
AFAB 0608F	3/8	5/8	150
AFAB 0706F	1/2	3/8	200
AFAB 0707F	1/2	1/2	150
AFAB 0708F	1/2	5/8	150



SABT - 快插外牙直接

BSPT(PT) Thread



PART NO.	Stem O.D.	BSPT(PT) Thread	Qty / Box
ASABT 0302	3/16	1/8	800
ASABT 0504	5/16	1/4	400
ASABT 0506	5/16	3/8	300
ASABT 0604	3/8	1/4	400
ASABT 0606	3/8	3/8	300
ASABT 0707	1/2	1/2	150

TEB - 硬插宝塔弯接



PART NO.	Stem O.D.	Tube I.D.	Qty / Box
ATEB 0404	1/4	1/4	800
ATEB 0405	1/4	5/16	800
ATEB 0504	5/16	1/4	700
ATEB 0505	5/16	5/16	600
ATEB 0604	3/8	1/4	600
ATEB 0605	3/8	5/16	600
ATEB 0606	3/8	3/8	550

FAUN - 快插内牙直接

UN Thread (V - Type)



PART NO.	Tube O.D.	UN Thread	Qty / Box
AFAUN 05 1/2V	5/16	1/2 - 16	350
AFAUN 06 1/2V	3/8	1/2 - 16	200
AFAUN 07 1/2V	1/2	1/2 - 16	150

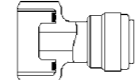


FAB - 快插内牙直接

BSP(P) Thread (Cone Type)



PART NO.	Tube O.D.	BSP(P) Thread	Qty / Box
AFAB 0406C	1/4	3/8	200
AFAB 0407C	1/4	1/2	200
AFAB 0506C	5/16	3/8	200
AFAB 0507C	5/16	1/2	200
AFAB 0606C	3/8	3/8	200
AFAB 0607C	3/8	1/2	200
AFAB 0608C	3/8	5/8	150
AFAB 0708C	1/2	5/8	150



SAW - 快插外牙直接

BSW Thread



PART NO.	Stem O.D.	BSW Thread	Qty / Box
ASAW 05 9/16	5/16	9/16	150
ASAW 0 6 0 7	3/8	1/2	150
ASAW 06 9/16	3/8	9/16	150

TU - T型三通



PART NO.	Tube O.D. (A)	Tube O.D. (B)	Tube O.D. (C)	Qty / Box
ATU 010101	5/32	5/32	5/32	350
ATU 030303	3/16	3/16	3/16	350
ATU 040404	1/4	1/4	1/4	300
ATU 040405	1/4	1/4	5/16	250
ATU 050505	5/16	5/16	5/16	200
ATU 060604	3/8	3/8	1/4	150
ATU 060606	3/8	3/8	3/8	150
ATU 070706	1/2	1/2	3/8	100
ATU 070707	1/2	1/2	1/2	100

MTS - 外牙连接三通

NPTF Thread



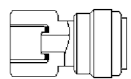
PART NO.	Tube O.D.	NPTF Thread	Qty / Box
AMTS 0102	5/32	1/8	500
AMTS 0104	5/32	1/4	400
AMTS 0302	3/16	1/8	300
AMTS 0402	1/4	1/8	250
AMTS 0404	1/4	1/4	200
AMTS 0502	5/16	1/8	200
AMTS 0504	5/16	1/4	180
AMTS 0506	5/16	3/8	150
AMTS 0604	3/8	1/4	130
AMTS 0606	3/8	3/8	100
AMTS 0706	1/2	3/8	70
AMTS 0707	1/2	1/2	70

FAUF - 快插内牙直接

UNF Thread (Cone Type)



PART NO.	Tube O.D.	UNF Thread	Qty / Box
AFAUF 04 7/16C	1/4	7/16 - 20	400
AFAUF 05 7/16C	5/16	7/16 - 20	300
AFAUF 06 7/16C	3/8	7/16 - 20	300

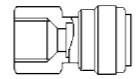


FAUF - 快插内牙直接

UNF Thread (V - Type)



PART NO.	Tube O.D.	UNF Thread	Qty / Box
AFAUF 04 7/16V	1/4	7/16 - 20	400
AFAUF 05 7/16V	5/16	7/16 - 20	300
AFAUF 06 7/16V	3/8	7/16 - 20	300
AFAUF 06 5/8V	3/8	5/8 - 18	300



- 7/16 UNF Corresponds to a 1/4 MFL
- 5/8 UNF Corresponds to a 3/8 MFL

RD - 快插硬插直接



PART NO.	Tube O.D.	Stem O.D.	Qty / Box
ARD 0104	5/32	1/4	800
ARD 0305	3/16	5/16	700
ARD 0306	3/16	3/8	600
ARD 0405	1/4	5/16	700
ARD 0406	1/4	3/8	500
ARD 0506	5/16	3/8	400
ARD 0507	5/16	1/2	300
ARD 0607	3/8	1/2	300

ACETAL FITTINGS (GRAY / INCH)

MRS - 外牙连接三通

NPTF Thread

PART NO.	Tube O.D.	NPTF Thread	Qty / Box
AMRS 0102	5/32	1/8	500
AMRS 0104	5/32	1/4	400
AMRS 0302	3/16	1/8	300
AMRS 0402	1/4	1/8	300
AMRS 0404	1/4	1/4	200
AMRS 0502	5/16	1/8	200
AMRS 0504	5/16	1/4	200
AMRS 0506	5/16	3/8	150
AMRS 0604	3/8	1/4	130
AMRS 0606	3/8	3/8	100
AMRS 0706	1/2	3/8	80
AMRS 0707	1/2	1/2	80

OC - 斜通

PART NO.	Tube O.D.	Tube O.D.	Qty / Box
AOC 0604	3/8	1/4	300
AOC 0705	1/2	5/16	200

UC - 直通

PART NO.	Tube O.D.	Tube O.D.	Qty / Box
AUC 0101	5/32	5/32	500
AUC 0303	3/16	3/16	500
AUC 0401	1/4	5/32	500
AUC 0403	1/4	3/16	400
AUC 0404	1/4	1/4	350
AUC 0501	5/16	5/32	400
AUC 0503	5/16	3/16	400
AUC 0504	5/16	1/4	300
AUC 0505	5/16	5/16	300
AUC 0601	3/8	5/32	300
AUC 0603	3/8	3/16	300
AUC 0604	3/8	1/4	250
AUC 0605	3/8	5/16	250
AUC 0606	3/8	3/8	250
AUC 0705	1/2	5/16	200
AUC 0706	1/2	3/8	200
AUC 0707	1/2	1/2	150
AUC 067.5	3/8	7.5 mm	250

TWD - Y型三通

PART NO.	Tube in	Tube out	Qty / Box
ATWD 0101	5/32	5/32	400
ATWD 0404	1/4	1/4	300
ATWD 0505	5/16	5/16	200
ATWD 0605	3/8	5/16	150
ATWD 0606	3/8	3/8	150
ATWD 0607	3/8	1/2	100
ATWD 0707	1/2	1/2	100

THWD - Y型四通

PART NO.	Tube O.D.	Tube O.D.	Qty / Box
ATHWD 0604	3/8	1/4	150
ATHWD 0606	3/8	3/8	50
ATHWD 0706	1/2	3/8	50

PL - 管塞

PART NO.	Stem O.D.	Qty / Box
APL 01	5/32	1000
APL 03	3/16	1000
APL 04	1/4	1000
APL 05	5/16	700
APL 06	3/8	500
APL 07	1/2	400

UB - U型弯通

PART NO.	Tube O.D.	Tube O.D.	Qty / Box
AUB 0404	1/4	1/4	300
AUB 0505	5/16	5/16	250
AUB 0606	3/8	3/8	150
AUB 0707	1/2	1/2	100

DEU - 密封钳入弯接

PART NO.	Tube O.D.	Stem O.D.	Qty / Box
ADEU 0606	3/8	3/8	250

TES - 管尾接头

PART NO.	Tube O.D.	Qty / Box
ATES 04	1/4	700
ATES 05	5/16	600
ATES 06	3/8	300
ATES 07	1/2	300

DST - 密封嵌入直插

PART NO.	Stem O.D.	Stem O.D.	Qty / Box
ADST 0606	3/8	3/8	400

BU - 穿板直接

PART NO.	Tube O.D.	Tube O.D.	Thread Size	Qty / Box
ABU 0101	5/32	5/32	M16XP1	300
ABU 0303	3/16	3/16	M16XP1	300
ABU 0404	1/4	1/4	M16XP1	250
ABU 0406	1/4	3/8	M20XP1.5	200
ABU 0505	5/16	5/16	M20XP1.5	150
ABU 0604	3/8	1/4	M20XP1.5	150
ABU 0606	3/8	3/8	M20XP1.5	150
ABU 0707	1/2	1/2	M27XP1.5	70

CR - 十型四通

PART NO.	Tube O.D.	Qty / Box
ACR 0101	5/32	300
ACR 0404	1/4	250
ACR 0505	5/16	200
ACR 0606	3/8	100
ACR 0707	1/2	80

MESBT - 快插外牙活动弯接

BSPT(PT) Thread

PART NO.	Tube O.D.	BSPT(PT) Thread	Qty / Box
AMESBT 0104	5/32	1/4	400
AMESBT 0302	3/16	1/8	400
AMESBT 0306	3/16	3/8	300
AMESBT 0406	1/4	3/8	200
AMESBT 0407	1/4	1/2	200
AMESBT 0504	5/16	1/4	200
AMESBT 0506	5/16	3/8	200
AMESBT 0507	5/16	1/2	150
AMESBT 0604	3/8	1/4	150
AMESBT 0606	3/8	3/8	150
AMESBT 0707	1/2	1/2	100

FAB - 快插内牙直接

BSP(P) Thread

New

PART NO.	Tube O.D.	BSP(P) Thread	Qty / Box
AFAB 0409F-1	1/4	3/4	200
AFAB 0609F-1	3/8	3/4	200
AFAB 0709F-1	1/2	3/4	150

FAN - 快插内牙直接

NH Thread

PART NO.	Tube O.D.	NH Thread	Qty / Box
AFAN 0409F	1/4	3/4	100
AFAN 0509F	5/16	3/4	100
AFAN 0609F	3/8	3/4	100
AFAN 0809F	5/8	3/4	50

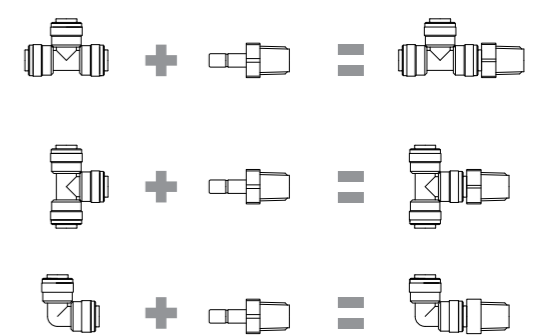
FAB - 快插内牙直接

BSP(P) Thread

PART NO.	Tube O.D.	BSP(P) Thread	Qty / Box
AFAB 0407F	1/4	1/2	100
AFAB 0409F	1/4	3/4	100
AFAB 0509F	5/16	3/4	100
AFAB 0609F	3/8	3/4	100
AFAB 0809F	5/8	3/4	50

Adaptability

- 适应性：对于最大限度的灵活性，DMT接头可以结合提供更广泛的功能。与其他品牌配件不同，拆卸和重复使用都很容易。



ACETAL FITTINGS (WHITE / INCH)



■ Suitable for

- **水行业以及食品行业**：DMT接头无毒安全，并且得到美国FDA, WRAS, ANSI/NSF-51, 61和SK ZERT的认证。其广泛应用于纯水行业，食品饮料行业以及医疗行业。
- **功能&质量**：DMT接头以及操作快捷，使用方便，并节约时间和成本而著称。ISO9001, 14001认证也保证了客户对产品质量的高要求。
- **卡扣设计**：DMT接头独一无二的椭圆形卡扣设计更加实用。更能满足全球各行业客户的需求。
- **应用**：除了水和食品外，接头还能用于空气，气体，真空以及液体上。所有的管接件可以充分的组装与拆卸。
- **颜色**：白色乙缩醛

MC - 快插外牙直接

PART NO.	Tube O.D.	NPTF Thread	
		NPTF Thread	Qty / Box
AMC 0102W	5/32	1/8	500
AMC 0104W	5/32	1/4	500
AMC 0302W	3/16	1/8	500
AMC 0402W	1/4	1/8	400
AMC 0404W	1/4	1/4	350
AMC 0406W	1/4	3/8	300
AMC 0407W	1/4	1/2	150
AMC 0502W	5/16	1/8	400
AMC 0504W	5/16	1/4	400
AMC 0506W	5/16	3/8	350
AMC 0602W	3/8	1/8	300
AMC 0604W	3/8	1/4	300
AMC 0606W	3/8	3/8	250
AMC 0607W	3/8	1/2	200
AMC 0706W	1/2	3/8	200
AMC 0707W	1/2	1/2	150
AMC 0806W	5/8	3/8	80
AMC 0807W	5/8	1/2	80
AMC 1009W	7/8	3/4	40
AMC 1011W	7/8	1	40

MCB - 快插外牙直接

PART NO.	Tube O.D.	BSP(P) Thread	
		BSP(P) Thread	Qty / Box
AMCB 0807W	5/8	1/2	100
AMCB 0809W	5/8	3/4	100
AMCB 1009W	7/8	3/4	50

EU - 弯通

PART NO.	Tube O.D.	Tube O.D.	Qty / Box
AEU 0303W	3/16	3/16	700
AEU 0404W	1/4	1/4	350
AEU 0501W	5/16	5/32	500
AEU 0503W	5/16	3/16	400
AEU 0504W	5/16	1/4	300
AEU 0505W	5/16	5/16	300
AEU 0603W	3/8	3/16	200
AEU 0604W	3/8	1/4	200
AEU 0605W	3/8	5/16	200
AEU 0606W	3/8	3/8	200
AEU 0704W	1/2	1/4	150
AEU 0705W	1/2	5/16	150
AEU 0706W	1/2	3/8	150
AEU 0707W	1/2	1/2	150
AEU 0808W	5/8	5/8	100
AEU 1008W	7/8	5/8	50
AEU 1010W	7/8	7/8	50

ME - 快插外牙弯接

PART NO.	Tube O.D.	NPTF Thread	
		NPTF Thread	Qty / Box
AME 0302W	3/16	1/8	500
AME 0402W	1/4	1/8	500
AME 0404W	1/4	1/4	350
AME 0406W	1/4	3/8	300
AME 0504W	5/16	1/4	300
AME 0506W	5/16	3/8	300
AME 0604W	3/8	1/4	250
AME 0606W	3/8	3/8	250
AME 0706W	1/2	3/8	200
AME 0707W	1/2	1/2	150
AME 0806W	5/8	3/8	80
AME 0807W	5/8	1/2	40

TU - T型三通

PART NO.	Tube O.D. (A)	Tube O.D. (B)	Tube O.D. (C)	Qty / Box
ATU 030303W	3/16	3/16	3/16	350
ATU 040404W	1/4	1/4	1/4	300
ATU 050505W	5/16	5/16	5/16	200
ATU 060604W	3/8	3/8	1/4	150
ATU 060606W	3/8	3/8	3/8	150
ATU 070706W	1/2	1/2	3/8	100
ATU 070707W	1/2	1/2	1/2	100
ATU 080804W	5/8	5/8	1/4	50
ATU 080807W	5/8	5/8	1/2	50
ATU 080808W	5/8	5/8	5/8	40
ATU 080810W	5/8	5/8	7/8	40
ATU 100810W	7/8	5/8	7/8	30
ATU 101008W	7/8	7/8	5/8	30
ATU 100808W	7/8	5/8	5/8	40
ATU 101010W	7/8	7/8	7/8	30

FA - 快插内牙直接

PART NO.	Tube O.D.	NPTF Thread	
		NPTF Thread	Qty / Box
AFA 0402W	1/4	1/8	400
AFA 0404W	1/4	1/4	400
AFA 0502W	5/16	1/8	300
AFA 0504W	5/16	1/4	300
AFA 0602W	3/8	1/8	300
AFA 0604W	3/8	1/4	300
AFA 0807W	5/8	1/2	100
AFA 0809W	5/8	3/4	100
AFA 1009W	7/8	3/4	50
AFA 1011W	7/8	1	40

FAUF - 快插内牙直接

PART NO.	Tube O.D.	UNF Thread (Cone Type)	
		UNF Thread	Qty / Box
AFAUF 04 7/16CW	1/4	7/16 - 20	400
AFAUF 05 7/16CW	5/16	7/16 - 20	350
AFAUF 06 7/16CW	3/8	7/16 - 20	300

FAUF - 快插内牙直接

PART NO.	Tube O.D.	UNF Thread (V - Type)	
		UNF Thread	Qty / Box
AFAUF 04 7/16VW	1/4	7/16 - 20	400
AFAUF 05 7/16VW	5/16	7/16 - 20	300
AFAUF 06 7/16VW	3/8	7/16 - 20	300
AFAUF 06 5/8VW	3/8	5/8 - 18	350

● 7/16 UNF Corresponds to a 1/4 MFL
● 5/8 UNF Corresponds to a 3/8 MFL

TTU - T型直插三通

PART NO.	Tube O.D.	Tube O.D.	Stem O.D.	Qty / Box

FAB - 快插内牙直接

PART NO.	Tube O.D.	BSP(P) Thread (Cone Type)	
		BSP(P) Thread	Qty / Box
AFAB 0406CW	1/4	3/8	250
AFAB 0407CW	1/4	1/2	200
AFAB 0506CW	5/16	3/8	200
AFAB 0507CW	5/16	1/2	200
AFAB 0606CW	3/8	3/8	200
AFAB 0607CW	3/8	1/2	200
AFAB 0608CW	3/8	5/8	150
AFAB 0708CW	1/2	5/8	150

FAB - 快插内牙直接

PART NO.	Tube O.D.	BSP(P) Thread (Flat Type)	
		BSP(P) Thread	Qty / Box
AFAB 0508FW	5/16	5/8	250
AFAB 0607FW	3/8	1/2	200
AFAB 0608FW	3/8	5/8	150
AFAB 0706FW	1/2	3/8	200
AFAB 0707FW	1/2	1/2	150
AFAB 0708FW	1/2	5/8	150

FAU - 快插内牙直接

PART NO.	Tube O.D.	UNS Thread (Cone Type)	
		UNS Thread	Qty / Box
AFAU 04 7/16CW	1/4	7/16 - 24	400
AFAU 05 7/16CW	5/16	7/16 - 24	350
AFAU 06 7/16CW	3/8	7/16 - 24	300

FAUN - 快插内牙直接

PART NO.	Tube O.D.	UN Thread (V - Type)	
		UN Thread	Qty / Box
AFAUN 05 1/2VW	5/16	1/2 - 16	350
AFAUN 06 1/2VW	3/8	1/2 - 16	200
AFAUN 07 1/2VW	1/2	1/2 - 16	150

ACETAL FITTINGS (WHITE / INCH)

HA - 快插内牙直接

NPSH Thread

PART NO.	Tube O.D.	NPSH Thread	Qty / Box
AHA 1011W	7/8	1	400

DA - 快插内牙直接

NPSH Thread

PART NO.	Tube O.D.	NPSH Thread	Qty / Box
ADA 0809W	5/8	3/4	50

SA - 快插外牙直接

NPTF Thread

PART NO.	Stem O.D.	NPTF Thread	Qty / Box
ASA 0102W	5/32	1/8	800
ASA 0104W	5/32	1/4	500
ASA 0302W	3/16	1/8	800
ASA 0402W	1/4	1/8	500
ASA 0404W	1/4	1/4	500
ASA 0502W	5/16	1/8	500
ASA 0504W	5/16	1/4	400
ASA 0506W	5/16	3/8	300
ASA 0604W	3/8	1/4	300
ASA 0606W	3/8	3/8	300
ASA 0706W	1/2	3/8	250
ASA 0707W	1/2	1/2	150

BU - 穿板

PART NO.	Tube O.D.	Tube O.D.	Thread Size	Qty / Box
ABU 0101W	5/32	5/32	M16XP1	300
ABU 0303W	3/16	3/16	M16XP1	300
ABU 0404W	1/4	1/4	M16XP1	250
ABU 0406W	1/4	3/8	M20XP1.5	200
ABU 0505W	5/16	5/16	M20XP1.5	150
ABU 0604W	3/8	1/4	M20XP1.5	150
ABU 0606W	3/8	3/8	M20XP1.5	150
ABU 0707W	1/2	1/2	M27XP1.5	70

SABT - 快插外牙直接

BSPT(PT) Thread

PART NO.	Stem O.D.	BSPT(PT) Thread	Qty / Box
ASABT 0302W	3/16	1/8	800
ASABT 0504W	5/16	1/4	400
ASABT 0506W	5/16	3/8	300
ASABT 0604W	3/8	1/4	400
ASABT 0606W	3/8	3/8	300
ASABT 0707W	1/2	1/2	150

CR - 四通

PART NO.	Tube O.D.	Qty / Box
ACR 0101W	5/32	300
ACR 0404W	1/4	250
ACR 0505W	5/16	200
ACR 0606W	3/8	100
ACR 0707W	1/2	80

THWD - Y型四通

PART NO.	Tube O.D.	Tube O.D.	Qty / Box
ATHWD 0604W	3/8	1/4	150
ATHWD 0706W	1/2	3/8	50

UC - 直通

PART NO.	Tube O.D.	Tube O.D.	Qty / Box
AUC 0101W	5/32	5/32	500
AUC 0303W	3/16	3/16	500
AUC 0404W	1/4	1/4	350
AUC 0501W	5/16	5/32	400
AUC 0503W	5/16	3/16	400
AUC 0504W	5/16	1/4	300
AUC 0505W	5/16	5/16	300
AUC 0603W	3/8	3/16	300
AUC 0604W	3/8	1/4	250
AUC 0605W	3/8	5/16	250
AUC 0606W	3/8	3/8	250
AUC 0705W	1/2	5/16	200
AUC 0706W	1/2	3/8	200
AUC 0707W	1/2	1/2	150
AUC 067.5W	3/8	7.5 (mm)	250
AUC 0807W	5/8	1/2	100
AUC 0808W	5/8	5/8	100
AUC 1008W	7/8	5/8	50
AUC 1010W	7/8	7/8	50

TEU - 快插硬插弯接

PART NO.	Tube O.D.	Stem O.D.	Qty / Box
ATEU 0101W	5/32	5/32	800
ATEU 0303W	3/16	3/16	600
ATEU 0306W	3/16	3/8	500
ATEU 0404W	1/4	1/4	500
ATEU 0406W	1/4	3/8	400
ATEU 0505W	5/16	5/16	350
ATEU 0506W	5/16	3/8	350
ATEU 0606W	3/8	3/8	250
ATEU 0607W	3/8	1/2	200
ATEU 0707W	1/2	1/2	150
ATEU 0808W	5/8	5/8	50
ATEU 1010W	7/8	7/8	50

TES - 管尾接头

PART NO.	Tube O.D.	Qty / Box
ATES 04W	1/4	800
ATES 05W	5/16	600
ATES 06W	3/8	300
ATES 07W	1/2	300
ATES 08W	5/8	100
ATES 10W	7/8	50

PL - 管塞

PART NO.	Stem O.D.	Qty / Box
APL 01W	5/32	1000
APL 03W	3/16	1000
APL 04W	1/4	1000
APL 05W	5/16	700
APL 06W	3/8	500
APL 07W	1/2	400
APL 08W	5/8	200
APL 10W	7/8	100

SUC - 快插活牙直接

BSP(P) Thread

PART NO.	Tube O.D.	BSP(P) Thread	Qty / Box
ASUC 0807W	5/8	1/2	50
ASUC 0809W	5/8	3/4	50
ASUC 1009W	7/8	3/4	40

SEU - 快插活牙弯接

BSP(P) Thread

PART NO.	Tube O.D.	BSP(P) Thread	Qty / Box
ASEU 0807W	5/8	1/2	50
ASEU 0809W	5/8	3/4	50

TWD - Y型三通

PART NO.	Tube in	Tube out	Qty / Box
ATWD 0101W	5/32	5/32	400
ATWD 0404W	1/4	1/4	300
ATWD 0505W	5/16	5/16	200
ATWD 0605W	3/8	5/16	150
ATWD 0606W	3/8	3/8	150
ATWD 0607W	3/8	1/2	100
ATWD 0707W	1/2	1/2	100

KFA - 厨房龙头接管

NPSM Thread

PART NO.	Tube O.D.	NPSM Thread	Qty / Box
AKFA 0407W	1/4	1/2-14	100
AKFA 0607W	3/8	1/2-14	100

• For installing undercounter filters & RO systems



UB - U型弯通

PART NO.	Tube O.D.	Tube O.D.	Qty / Box
AUB 0404W	1/4	1/4	350
AUB 0505W	5/16	5/16	250
AUB 0606W	3/8	3/8	150
AUB 0707W	1/2	1/2	100
AUB 0808W	5/8	5/8	60
AUB 1010W	7/8	7/8	40

SVA - 厨房龙头接管

UNEF Thread

PART NO.	Tube O.D.	UNEF Thread	Qty / Box
ASVA 04 9/16W	1/4	9/16-24	200
ASVA 06 9/16W	3/8	9/16-24	150

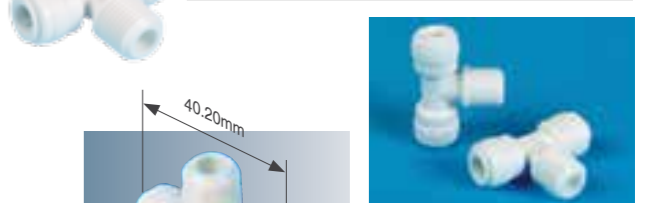
• For an undercounter filter systems



MTU - T型外牙三通

NPTF Thread

PART NO.	Tube O.D.	NPTF Thread	Qty / Box
AMTU 0404W	1/4	1/4	300



ACETAL FITTINGS (WHITE / INCH)

BBC - 快插宝塔直接



PART NO.	Tube O.D.	Tube I.D.	Qty / Box
ABBC 0807W	5/8	1/2	100
ABBC 1007W	7/8	1/2	50
ABBC 1009W	7/8	3/4	40

RD - 快插硬插直接

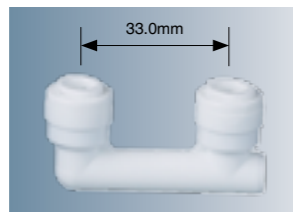


PART NO.	Tube O.D.	Stem O.D.	Qty / Box
ARD 0104W	5/32	1/4	800
ARD 0305W	3/16	5/16	700
ARD 0306W	3/16	3/8	600
ARD 0405W	1/4	5/16	700
ARD 0406W	1/4	3/8	500
ARD 0408W	1/4	5/8	300
ARD 0506W	5/16	3/8	400
ARD 0507W	5/16	1/2	300
ARD 0607W	3/8	1/2	300

FC - 过滤器接头



PART NO.	Tube O.D.	Tube I.D.	Qty / Box
AFC 0404W	1/4	1/4	300



EL - 快插硬插直接



PART NO.	Tube O.D.	Stem O.D.	Qty / Box
AEL 0605	3/8	5/16	400
AEL 0706	1/2	3/8	300

BFU - 转换内接



PART NO.	BSP(P) Thread	BSP(P) Thread	Qty / Box
ABFU 0409	1/4	3/4	150

FAN - 快插内牙直接



PART NO.	Tube O.D.	NH Thread	Qty / Box
AFAN 0409F	1/4	3/4	100
AFAN 0509F	5/16	3/4	100
AFAN 0609F	3/8	3/4	100
AFAN 0809F	5/8	3/4	50

NH Thread

PART NO.	Tube O.D. (mm)	NH Thread	Qty / Box
AFAN 0609FM	6	3/4	100
AFAN 0809FM	8	3/4	100
AFAN 1009FM	10	3/4	100

FAB - 快插内牙直接



PART NO.	Tube O.D.	BSP(P) Thread	Qty / Box
AFAB 0407F	1/4	1/2	100
AFAB 0409F	1/4	3/4	100
AFAB 0509F	5/16	3/4	100
AFAB 0609F	3/8	3/4	100
AFAB 0809F	5/8	3/4	50

BSP(P) Thread

PART NO.	Tube O.D. (mm)	BSP(P) Thread	Qty / Box
AFAB 0609FM	6	3/4	100
AFAB 0809FM	8	3/4	100
AFAB 1009FM	10	3/4	100

FAB - 快插内牙直接



PART NO.	Tube O.D.	BSP(P) Thread	Qty / Box
AFAB 0409FW-1	1/4	3/4	250
AFAB 0609FW-1	3/8	3/4	200
AFAB 0709FW-1	1/2	3/4	150

BSP(P) Thread New

BMC - 快插外牙直接



PART NO.	Tube O.D.	Metric Thread	Qty / Box
BMC 04M10	1/4	M10	500
BMC 06M10	3/8	M10	500

BSP(P) Thread

PART NO.	Tube O.D. (mm)	BSP(P) Thread	Qty / Box
BMCB 1004M	10	1/4	500

1. Chrome plating is by special request.
2. Manufactured after receipt of order.

BFAUF - 快插内牙直接



PART NO.	Tube O.D.	UNF Thread	Qty / Box
BFAUF 04 7/16V	1/4	7/16-20	400
BFAUF 06 7/16V	3/8	7/16-20	300
BFAUF 06 5/8V	3/8	5/8-18	250

UNF Thread

- 7/16 UNF corresponds to a 1/4 MFL
 - 5/8 UNF corresponds to a 3/8 MFL
1. Chrome plating is by special request.
 2. Manufactured after receipt of order.

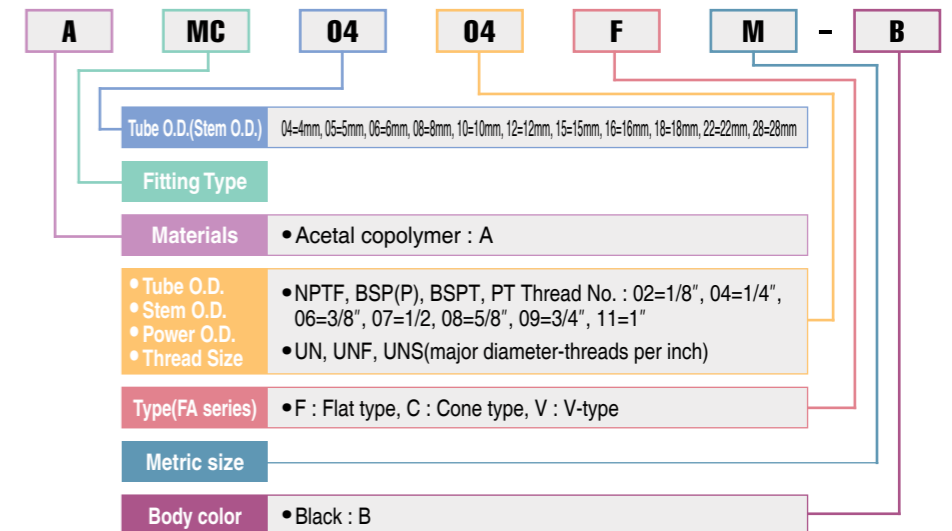
ACETAL FITTINGS (BLACK / METRIC)



Suitable for

- **水行业以及食品行业**：DMT接头无毒安全，并且得到美国FDA, WRAS, ANSI/NSF-51,61和SK ZERT的认证。其广泛应用于纯水行业，食品饮料行业以及医疗行业。
- **功能&质量**：DMT接头以及操作快捷，使用方便，并节约时间和成本而著称。ISO9001, 14001认证也保证了客户对产品质量的高要求。
- **卡扣设计**：DMT接头独一无二的椭圆形卡扣设计更加实用。更能满足全球各行业客户的需求。
- **应用**：除了水和食品外，接头还能用于空气，气体，真空以及液体上。所有的管接件可以充分的组装与拆卸。
- **颜色**：黑色乙缩醛

Part Numbering System



ME - 快插外牙弯接



PART NO.	Tube O.D. (mm)	BSPT(PT) Thread	Qty / Box
AME 0602M	6	1/8	500
AME 0604M	6	1/4	400
AME 0606M	6	3/8	400
AME 0804M	8	1/4	300
AME 0806M	8	3/8	300
AME 1004M	10	1/4	250
AME 1006M	10	3/8	250
AME 1206M	12	3/8	200
AME 1207M	12	1/2	150
AME 1506M	15	3/8	100
AME 1507M	15	1/2	100
AME 1606M	16	3/8	100
AME 1607M	16	1/2	100

BSPT(PT) Thread

MES - 快插外牙活动弯接



PART NO.	Tube O.D. (mm)	BSPT(PT) Thread	Qty / Box
AMES 0402M	4	1/8	500
AMES 0404M	4	1/4	400
AMES 0502M	5	1/8	500
AMES 0602M	6	1/8	300
AMES0604M	6	1/4	300
AMES 0802M	8	1/8	200
AMES 0804M	8	1/4	200
AMES 0806M	8	3/8	200
AMES 1004M	10	1/4	150
AMES 1006M	10	3/8	150
AMES 1206M	12	3/8	100
AMES 1207M	12	1/2	100

BSPT(PT) Thread

ACETAL FITTINGS (BLACK / METRIC)

MC - 快插外牙直接



PART NO.	Tube O.D. (mm)	BSPT(PT) Thread	
		BSPT(PT) Thread	Qty / Box
AMC 0402M	4	1/8	500
AMC 0404M	4	1/4	500
AMC 0502M	5	1/8	500
AMC 0504M	5	1/4	500
AMC 0602M	6	1/8	400
AMC 0604M	6	1/4	500
AMC 0606M	6	3/8	300
AMC 0607M	6	1/2	250
AMC 0802M	8	1/8	400
AMC 0804M	8	1/4	400
AMC 0806M	8	3/8	350
AMC 1002M	10	1/8	300
AMC 1004M	10	1/4	300
AMC 1006M	10	3/8	300
AMC 1007M	10	1/2	200
AMC 1206M	12	3/8	200
AMC 1207M	12	1/2	200
AMC 1506M	15	3/8	100
AMC 1507M	15	1/2	100
AMC 1606M	16	3/8	100
AMC 1607M	16	1/2	100
AMC 1807M	18	1/2	80
AMC 2209M	22	3/4	80
AMC 2211M	22	1	40

MCB - 快插外牙直接



PART NO.	Tube O.D. (mm)	BSP(P) Thread	
		BSP(P) Thread	Qty / Box
AMCB 0402M	4	1/8	500
AMCB 0404M	4	1/4	400
AMCB 0502M	5	1/8	400
AMCB 0504M	5	1/4	400
AMCB 0602M	6	1/8	400
AMCB 0604M	6	1/4	400
AMCB 0802M	8	1/8	400
AMCB 0804M	8	1/4	400
AMCB 0806M	8	3/8	250
AMCB 0807M	8	1/2	200
AMCB 1004M	10	1/4	300
AMCB 1006M	10	3/8	250
AMCB 1007M	10	1/2	200
AMCB 1206M	12	3/8	200
AMCB 1207M	12	1/2	150
AMCB 1507M	15	1/2	150
AMCB 1509M	15	3/4	100
AMCB 1607M	16	1/2	150
AMCB 1609M	16	3/4	100
AMCB 2209M	22	3/4	80

TEU - 快插硬插弯接



PART NO.	Tube O.D. (mm)	Stem O.D. (mm)	Qty / Box
ATEU 0404M	4	4	500
ATEU 0505M	5	5	500
ATEU 0606M	6	6	500
ATEU 0610M	6	10	400
ATEU 0806M	8	6	400
ATEU 0808M	8	8	350
ATEU 0810M	8	10	350
ATEU 1010M	10	10	250
ATEU 1212M	12	12	150
ATEU 1515M	15	15	100
ATEU 2222M	22	22	40

PART NO.	Tube O.D. (mm)	Stem O.D. (mm)	Qty / Box
ATEU 16M08	16	5/8	100

MESB - 快插外牙活动弯接



PART NO.	Tube O.D. (mm)	BSP(P) Thread	
		BSP(P) Thread	Qty / Box
AMESB 0402M	4	1/8	350
AMESB 0404M	4	1/4	350
AMESB 0502M	5	1/8	300
AMESB 0504M	5	1/4	300
AMESB 0602M	6	1/8	250
AMESB 0604M	6	1/4	250
AMESB 0802M	8	1/8	200
AMESB 0804M	8	1/4	200
AMESB 0806M	8	3/8	150
AMESB 1004M	10	1/4	140
AMESB 1006M	10	3/8	140
AMESB 1007M	10	1/2	100
AMESB 1206M	12	3/8	90
AMESB 1207M	12	1/2	80

EU - 弯通



PART NO.	Tube O.D. (mm)	Tube O.D. (mm)	Qty / Box
AEU 0404M	4	4	700
AEU 0505M	5	5	700
AEU 0606M	6	6	400
AEU 0804M	8	4	500
AEU 0805M	8	5	400
AEU 0806M	8	6	300
AEU 0808M	8	8	300
AEU 1005M	10	5	300
AEU 1006M	10	6	300
AEU 1008M	10	8	200
AEU 1010M	10	10	200
AEU 1206M	12	6	200
AEU 1208M	12	8	200
AEU 1210M	12	10	150
AEU 1212M	12	12	150
AEU 1515M	15	15	80
AEU 1616M	16	16	80
AEU 1818M	18	18	60
AEU 2215M	22	15	50
AEU 2216M	22	16	50
AEU 2222M	22	22	40
AEU 2828M	28	28	20

RD - 快插硬插直接



PART NO.	Tube O.D. (mm)	Stem O.D. (mm)	Qty / Box
ARD 0405M	4	5	800
ARD 0406M	4	6	700
ARD 0408M	4	8	700
ARD 0506M	5	6	700
ARD 0508M	5	8	700
ARD 0608M	6	8	600
ARD 0610M	6	10	500
ARD 0810M	8	10	400
ARD 0812M	8	12	300
ARD 1012M	10	12	300
ARD 1015M	10	15	250
ARD 1215M	12	15	200
ARD 1518M	15	18	150
ARD 1522M	15	22	100
ARD 1618M	16	18	100
ARD 1622M	16	22	100
ARD 1822M	18	22	80
ARD 2228M	22	28	50

FA - 快插内牙直接



PART NO.	Tube O.D. (mm)	BSPT(PT) Thread	
		BSPT(PT) Thread	Qty / Box
AFA 0602M	6	1/8	500
AFA 0604M	6	1/4	400
AFA 0802M	8	1/8	300
AFA 0804M	8	1/4	300
AFA 1002M	10	1/8	300
AFA 1004M	10	1/4	300
AFA 1507M	15	1/2	100
AFA 1509M	15	3/4	100
AFA 1607M	16	1/2	100
AFA 1609M	16	3/4	100
AFA 2209M	22	3/4	50
AFA 2211M	22	1	40

FAB - 快插内牙直接



PART NO.	Tube O.D. (mm)	BSP(P) Thread	
		BSP(P) Thread	Qty / Box
AFAB 1507M	15	1/2	100
AFAB 1509M	15	3/4	100
AFAB 1607M	16	1/2	100
AFAB 1609M	16	3/4	100
AFAB 2209M	22	3/4	40

FAUN - 快插内牙直接



PART NO.	Tube O.D. (mm)	UN Thread (V - Type)	
		UN Thread	Qty / Box
AFAUN 08 1/2VM	8	1/2 - 16	350
AFAUN 10 1/2VM	10	1/2 - 16	200
AFAUN 12 1/2VM	12	1/2 - 16	200

EL - 快插硬插直接



PART NO.	Tube O.D. (mm)	Stem O.D. (mm)	Qty / Box
AEL1510M	15	10	150
AEL 1512M	15	12	150
AEL1610M	16	10	150
AEL 1612M	16	12	150
AEL 2215M	22	15	60
AEL 2822M	28	22	50

FAU - 快插内牙直接



PART NO.	Tube O.D. (mm)	UNS Thread (Cone Type)	
		UNS Thread	Qty / Box
AFAU 06 7/16CM	6	7/16 - 24	400
AFAU 08 7/16CM	8	7/16 - 24	350
AFAU 10 7/16CM	10	7/16 - 24	300

FAB - 快插内牙直接



PART NO.	Tube O.D. (mm)	BSP(P) Thread (Cone Type)	
		BSP(P) Thread	Qty / Box
AFAB 0606CM	6	3/8	200
AFAB 0607CM	6	1/2	200
AFAB 0806CM	8	3/8	150
AFAB 0807CM	8	1/2	200
AFAB 1006CM	10	3/8	200
AFAB 1007CM	10	1/2	200
AFAB 1008CM	10	5/8	150
AFAB1206CM	12	3/8	150
AFAB 1208CM	12	5/8	150

FAUF - 快插内牙直接



PART NO.	Tube O.D. (mm)	UNF Thread (Cone Type)	
		UNF Thread	Qty / Box
AFAUF 06 7/16CM	6	7/16 - 20	400
AFAUF 08 7/16CM	8	7/16 - 20	300
AFAUF 10 7/16CM	10	7/16 - 20	300

ACETAL FITTINGS (BLACK / METRIC)

FAB - 快插内牙直接

BSP(P) Thread (Flat Type)

PART NO.	Tube O.D. (mm)	BSP(P) Thread	Qty / Box
AFAB 0808FM	8	5/8	200
AFAB 1004FM	10	1/4	200
AFAB 1007FM	10	1/2	150
AFAB 1008FM	10	5/8	150
AFAB 1206FM	12	3/8	150
AFAB 1207FM	12	1/2	150
AFAB 1208FM	12	5/8	150

FAB - 快插内牙直接

BSP(P) Thread

PART NO.	Tube O.D. (mm)	BSP(P) Thread	Qty / Box
AFAB 0609FM-1	6	3/4	200
AFAB 1009FM-1	10	3/4	200
AFAB 1209FM-1	12	3/4	150

New

FAUF - 快插内牙直接

UNF Thread (V - Type)

PART NO.	Tube O.D. (mm)	UNF Thread	Qty / Box
AFAUF 06 7/16VM	6	7/16 - 20	400
AFAUF 08 7/16VM	8	7/16 - 20	300
AFAUF 10 7/16VM	10	7/16 - 20	300
AFAUF 10 5/8VM	10	5/8 - 18	350

HA - 快插内牙直接

NPSH Thread

PART NO.	Tube O.D. (mm)	NPSH Thread	Qty / Box
AHA 2211M	22	1	40

MRSB - 外牙连接三通

BSP(P) Thread

PART NO.	Tube O.D. (mm)	BSP(P) Thread	Qty / Box
AMRSB 0402M	4	1/8	300
AMRSB 0404M	4	1/4	300
AMRSB 0502M	5	1/8	250
AMRSB 0504M	5	1/4	250
AMRSB 0602M	6	1/8	200
AMRSB 0604M	6	1/4	200
AMRSB 0802M	8	1/8	150
AMRSB 0804M	8	1/4	150
AMRSB 0806M	8	3/8	150
AMRSB 1004M	10	1/4	130
AMRSB 1006M	10	3/8	100
AMRSB 1007M	10	1/2	100
AMRSB 1206M	12	3/8	80
AMRSB 1207M	12	1/2	80

MRS - 外牙连接三通

BSPT(PT) Thread

PART NO.	Tube O.D. (mm)	BSPT(PT) Thread	Qty / Box
AMRS 0402M	4	1/8	500
AMRS 0404M	4	1/4	400
AMRS 0502M	5	1/8	300
AMRS 0504M	5	1/4	300
AMRS 0602M	6	1/8	250
AMRS 0802M	8	1/8	200
AMRS 0804M	8	1/4	200
AMRS 0806M	8	3/8	150
AMRS 1004M	10	1/4	130
AMRS 1006M	10	3/8	100
AMRS 1007M	10	1/2	100
AMRS 1206M	12	3/8	80
AMRS 1207M	12	1/2	80

MTSB - 外牙连接三通

BSP(P) Thread

PART NO.	Tube O.D. (mm)	BSP(P) Thread	Qty / Box
AMTSB 0402M	4	1/8	450
AMTSB 0404M	4	1/4	350
AMTSB 0502M	5	1/8	300
AMTSB 0504M	5	1/4	250
AMTSB 0602M	6	1/8	250
AMTSB 0604M	6	1/4	200
AMTSB 0802M	8	1/8	200
AMTSB 0804M	8	1/4	150
AMTSB 0806M	8	3/8	150
AMTSB 1004M	10	1/4	130
AMTSB 1006M	10	3/8	100
AMTSB 1007M	10	1/2	100
AMTSB 1206M	12	3/8	80
AMTSB 1207M	12	1/2	80

MTS - 外牙连接三通

BSPT(PT) Thread

PART NO.	Tube O.D. (mm)	BSPT(PT) Thread	Qty / Box
AMTS 0402M	4	1/8	500
AMTS 0404M	4	1/4	400
AMTS 0502M	5	1/8	300
AMTS 0504M	5	1/4	250
AMTS 0602M	6	1/8	250
AMTS 0802M	8	1/8	200
AMTS 0804M	8	1/4	180
AMTS 0806M	8	3/8	150
AMTS 1004M	10	1/4	130
AMTS 1006M	10	3/8	100
AMTS 1007M	10	1/2	100
AMTS 1206M	12	3/8	70
AMTS 1207M	12	1/2	70

OC - 斜通

PART NO.	Tube O.D. (mm)	Tube O.D. (mm)	Qty / Box
AOC 1006M	10	6	200
AOC 1208M	12	8	200

CR - 十型四通

PART NO.	Tube O.D. (mm)	Qty / Box
ACR 0404M	4	300
ACR 0606M	6	250
ACR 0808M	8	200
ACR 1010M	10	120
ACR 1212M	12	80

SAB - 快插外牙直接

BSP(P) Thread

PART NO.	Stem O.D. (mm)	BSP(P) Thread	Qty / Box
ASAB 0402M	4	1/8	900
ASAB 0404M	4	1/4	600
ASAB 0502M	5	1/8	600
ASAB 0504M	5	1/4	500
ASAB 0602M	6	1/8	500
ASAB 0604M	6	1/4	400
ASAB 0802M	8	1/8	500
ASAB 0804M	8	1/4	400
ASAB 0806M	8	3/8	250
ASAB 1004M	10	1/4	250
ASAB 1006M	10	3/8	250
ASAB 1007M	10	1/2	150
ASAB 1206M	12	3/8	150
ASAB 1207M	12	1/2	150
ASAB 1506M	15	3/8	150
ASAB 1507M	15	1/2	150
ASAB 1807M	18	1/2	100
ASAB 2207M	22	1/2	80
ASAB 2209M	22	3/4	80

SA - 快插外牙直接

BSPT(PT) Thread

PART NO.	Stem O.D. (mm)	BSPT(PT) Thread	Qty / Box
ASA 0402M	4	1/8	800
ASA 0404M	4	1/4	500
ASA 0502M	5	1/8	800
ASA 0504M	5	1/4	500
ASA 0602M	6	1/8	500
ASA 0604M	6	1/4	500
ASA 0802M	8	1/8	500
ASA 0804M	8	1/4	400
ASA 0806M	8	3/8	300
ASA 1004M	10	1/4	400
ASA 1006M	10	3/8	300
ASA 1007M	10	1/2	250
ASA 1206M	12	3/8	250
ASA 1207M	12	1/2	150

BU - 穿板

PART NO.	Tube O.D. (mm)	Tube O.D. (mm)	Thread Size	Qty / Box
ABU 0404M	4	4	M16XP1	300
ABU 0505M	5	5	M16XP1	300
ABU 0606M	6	6	M16XP1	250
ABU 0610M	6	10	M20XP1.5	200
ABU 0808M	8	8	M20XP1.5	200
ABU 1006M	10	6	M20XP1.5	150
ABU 1010M	10	10	M20XP1.5	150
ABU 1212M	12	12	M27XP1.5	70

THWD - Y型四通

PART NO.	Tube O.D. (mm)	Tube O.D. (mm)	Qty / Box
ATHWD 1006M	10	6	150
ATHWD 1210M	12	10	50

TU - 三通

PART NO.	Tube O.D. (A) (mm)	Tube O.D. (B) (mm)	Tube O.D. (C) (mm)	Qty / Box
ATU 040404M	4	4	4	300
ATU 050505M	5	5	5	350
ATU 060606M	6	6	6	300
ATU 080808M	8	8	8	200
ATU 101006M	10	10	6	150
ATU 101010M	10	10	10	150
ATU 121210M	12	12	10	100
ATU 121212M	12	12	12	100
ATU 121012M	12	10	12	100
ATU 151010M	15	10	10	50
ATU 151510M	15	15	10	50
ATU 151512M	15	15	12	50
ATU 151515M	15	15	15	50
ATU 151522M	15	15	22	40
ATU 161616M	16	16	16	40
ATU 161622M	16	16	22	40
ATU 181815M	18	18	15	30
ATU 181816M	18	18	16	30
ATU 181818M	18	18	18	30
ATU 221515M	22	15	22	20
ATU 221522M	22	15	22	20
ATU 222210M	22	22	10	20
ATU 222215M	22	22	15	20
ATU 221616M	22	16	16	20
ATU 222216M	22	22	16	20
ATU 222222M	22	22	22	20
ATU 282815M	28	28	15	10
ATU 282828M	28	28	28	10

PART NO.	Tube O.D. (A)	Tube O.D. (B)	Tube O.D. (C)	Qty / Box
ATU 15M0606	15mm	3/8	3/8	50
ATU 1515M06	15mm	15mm	3/8	50
ATU 1616M07	16mm	16mm	1/2	20
ATU 18M0606	18mm	3/8	3/8	20

PART NO.	Tube O.D. (A)	Tube O.D. (B)	Tube O.D. (C)	Qty / Box
ATU 1515M0606	15mm	15mm	3/8	20

UB - U型弯通

PART NO.	Tube O.D. (mm)	Tube O.D. (mm)	Qty / Box
AUB 0606M	6	6	350
AUB 0808M	8	8	250
AUB 1010M	10	10	150
AUB 1212M	12	12	100
AUB 1515M	15	15	60
AUB 1616M	16	16	60
AUB 2222M	22	22	30

ACETAL FITTINGS (BLACK / METRIC)

TWD - Y型三通



PART NO.	Tube in (mm)	Tube out (mm)	Qty / Box
ATWD 0404M	4	4	400
ATWD 0606M	6	6	300
ATWD 0808M	8	8	200
ATWD 1008M	10	8	150
ATWD 1010M	10	10	150
ATWD 1012M	10	12	100
ATWD 1212M	12	12	100
ATWD 1515M	15	15	100

New

UC - 直通



PART NO.	Tube in (mm)	Tube out (mm)	Qty / Box
AUC 0404M	4	4	500
AUC 0505M	5	5	500
AUC 0604M	6	4	500
AUC 0605M	6	5	400
AUC 0606M	6	6	350
AUC 0804M	8	4	400
AUC 0805M	8	5	300
AUC 0806M	8	6	300
AUC 0808M	8	8	300
AUC 1004M	10	4	300
AUC 1005M	10	5	300
AUC 1006M	10	6	250
AUC 1008M	10	8	250
AUC 1010M	10	10	250
AUC 1208M	12	8	200
AUC 1210M	12	10	150
AUC 1212M	12	12	150
AUC 1510M	15	10	100
AUC 1512M	15	12	100
AUC 1515M	15	15	100
AUC 1612M	16	12	100
AUC 1615M	16	15	100
AUC 1616M	16	16	100
AUC 1818M	18	18	60
AUC 2215M	22	15	50
AUC 2216M	22	16	50
AUC 2222M	22	22	50
AUC 2828M	28	28	40

PART NO.	Tube O.D. (mm)	Tube O.D.	Qty / Box
AUC 15M07	15	1/2	100
AUC 12M06	12	3/8	100

SUC - 快插活牙直接



PART NO.	Tube O.D. (mm)	BSP(P) Thread	Qty / Box
ASUC 1507M	15	1/2	80
ASUC 1509M	15	3/4	50
ASUC 1607M	16	1/2	80
ASUC 1609M	16	3/4	50
ASUC 2209M	22	3/4	40

SEU - 快插活牙弯接



PART NO.	Tube O.D. (mm)	BSP(P) Thread	Qty / Box
ASEU 1507M	15	1/2	50
ASEU 1509M	15	3/4	50
ASEU 1607M	16	1/2	50
ASEU 1609M	16	3/4	50

TES - 管尾接头



PART NO.	Tube O.D. (mm)	Qty / Box
ATES 06M	6	800
ATES 08M	8	600
ATES 10M	10	300
ATES 12M	12	200
ATES 15M	15	100
ATES 16M	16	100
ATES 18M	18	50
ATES 22M	22	50

PL - 管塞



PART NO.	Stem O.D. (mm)	Qty / Box
APL 04M	4	1000
APL 05M	5	1000
APL 06M	6	1000
APL 08M	8	700
APL 10M	10	500
APL 12M	12	400
APL 15M	15	250
APL 18M	18	250
APL 22M	22	100

TBC - 硬插宝塔直接



PART NO.	Stem O.D. (mm)	Tube I.D. (mm)	Qty / Box
ATBC 0604M	6	4	1000
ATBC 0606M	6	6	800
ATBC 0806M	8	6	700
ATBC 1008M	10	8	500
ATBC 1010M	10	10	500
ATBC 1210M	12	10	300

PART NO.	Stem O.D. (mm)	Tube O.D.	Qty / Box
ATBC 15M06	15	3/8	300
ATBC 15M07	15	1/2	300

SSA - 转换硬插



PART NO.	Stem O.D. (mm)	Stem O.D.	Qty / Box
ASSA 15M06	15	3/8	200

BBC - 快插宝塔直接



PART NO.	Tube O.D. (mm)	Tube I.D.	Qty / Box
ABBC 1507M	15	1/2	150
ABBC 1607M	16	1/2	150
ABBC 2207M	22	1/2	80
ABBC 2209M	22	3/4	80

PART NO.	Tube O.D. (mm)	Tube I.D. (mm)	Qty / Box
ABBC 1210M	12	10	200
ABBC 1510M	15	10	150
ABBC 1610M	16	10	150

TC - Tank Connector



PART NO.	Tube O.D. (mm)	Thread Size	Qty / Box
ATC 15M	15	M30XP3.5	30
ATC 22M	22	M39XP3.5	20
ATC 28M	28	M39XP2.0	10

FWC - 四径接头



PART NO.	Tube O.D. (mm)	Tube O.D. (mm)	Qty / Box
AFWC 2210M	22	10	50

DA - 快插内牙直接



PART NO.	Tube O.D. (mm)	NPSH Thread	Qty / Box
ADA 1509M	15	3/4	50
ADA 1609M	16	3/4	50

EFCB - 快插内牙活动弯接



PART NO.	Tube O.D. (mm)	BSP(P) Thread	Qty / Box
AEFCB 1507M	15	1/2	50

SFCB - 快插内牙活动直接



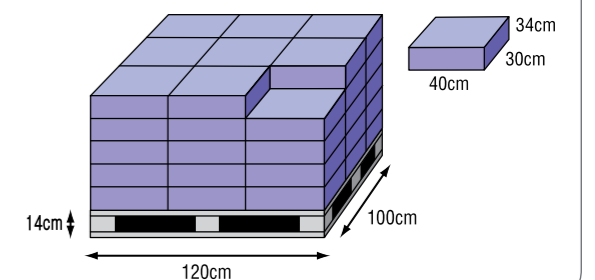
PART NO.	Tube O.D. (mm)	BSP(P) Thread	Qty / Box
ASFCB 1507M	15	1/2	50
ASFCB 1509M	15	3/4	50
ASFCB 2209M	22	3/4	40

Special design



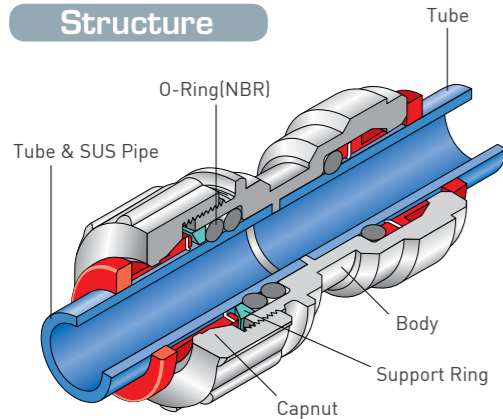
- 独一无二的椭圆形卡扣更加容易插拔。圆形不锈钢锯齿设计可以减少管子上的划痕，并可多次使用。

PACKAGING - PALLET AND BOX SIZES



强力接头 (GRAY-INCH / BLACK-METRIC)

for use with Stainless Steel Pipe



■ Features

- 这是种用于不锈钢或其他钢管的产品。当固定帽壳，作用于支撑圈和夹扣，可以更加牢固地抓住管子以及密封配件中的O圈。两个O圈可以在高温下起到更好的密封效果。有利于防止在使用手动工具固定帽壳而产生的断裂。

PSEU - 强力快插弯接

PART NO.	Tube O.D.	Power O.D.	Qty / Box
APSEU 0505	5/16	5/16	250
APSEU 0506	5/16	3/8	250
APSEU 0604	3/8	1/4	300
APSEU 0605	3/8	5/16	200
APSEU 0606	3/8	3/8	200

PBEU - 强力快插双头弯接

PART NO.	Power O.D.	Power O.D.	Qty / Box
APBEU 0505	5/16	5/16	250
APBEU 0605	3/8	5/16	250
APBEU 0606	3/8	3/8	200

PBUC - 强力快插双头直接

PART NO.	Power O.D.	Power O.D.	Qty / Box
APBUC 0505	5/16	5/16	250
APBUC 0606	3/8	3/8	250

PSUC - 强力快插直接

PART NO.	Tube O.D.	Power O.D.	Qty / Box
APSUC 0505	5/16	5/16	300
APSUC 0506	5/16	3/8	250
APSUC 0604	3/8	1/4	250
APSUC 0605	3/8	5/16	200
APSUC 0606	3/8	3/8	200

PMCW - 强力快插外牙直接

PART NO.	Power O.D.	BSW Thread	Qty / Box
APMCW 05 9/16	5/16	9/16-24	350
APMCW 06 9/16	3/8	9/16-24	300

PMCBT - 强力快插外牙直接

PART NO.	Power O.D.	BSPT(PT) Thread	Qty / Box
APMCBT 0504	5/16	1/4	400

PSP - 强力扳手

PART NO.	Tube O.D.
NPSP	5/16, 3/8

• Available in metallic spanner

PSFBU - 强力快插弧形弯接

PART NO.	Power O.D.	Tube O.D.	Qty / Box
APSFBU 0505	5/16	5/16	

PBBC - 强力快插宝塔直接

PART NO.	Power O.D.	Tube I.D.	Qty / Box
APBBC 0404	1/4	1/4	400
APBBC 0504	5/16	1/4	400
APBBC 0604	3/8	1/4	250

PSEU - 强力快插弯接

PART NO.	Tube O.D. (mm)	Power O.D. (mm)	Qty / Box
APSEU 0808M	8	8	250
APSEU 0810M	8	10	250
APSEU 1006M	10	6	300
APSEU 1008M	10	8	250
APSEU 1010M	10	10	250

PSUC - 强力快插双头直接

PART NO.	Tube O.D. (mm)	Power O.D. (mm)	Qty / Box
APSUC 0808M	8	8	300
APSUC 0810M	8	10	250
APSUC 1006M	10	6	250
APSUC 1008M	10	8	250
APSUC 1010M	10	10	250

PMCW - 强力快插外牙直接

PART NO.	Power O.D. (mm)	BSW Thread	Qty / Box
APMCW 08 9/16M	8	9/16-24	400
APMCW 10 9/16M	10	9/16-24	350

PMCF - 强力快插外牙直接

PART NO.	Power O.D.	MFL Thread	Qty / Box
APMCF 0504	5/16	1/4	400
APMCF 0506	5/16	3/8	250

- 7/16-20 UNF corresponds to a 1/4 MFL
- 5/8-18 UNF corresponds to a 3/8 MFL

PMCBT - 强力快插外牙直接

PART NO.	Power O.D. (mm)	BSPT(PT) Thread	Qty / Box
APMCBT 0804M	8	1/4	400

PBEU - 强力快插双头弯接

PART NO.	Power O.D. (mm)	Power O.D. (mm)	Qty / Box
APBEU 0808M	8	8	250
APBEU 1008M	10	8	250
APBEU 1010M	10	10	250

PBUC - 强力快插双头直接

PART NO.	Power O.D. (mm)	Power O.D. (mm)	Qty / Box
APBUC 0808M	8	8	250
APBUC 1010M	10	10	250

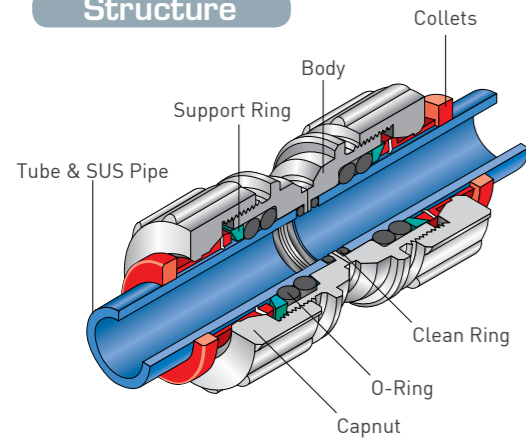
PMCF - 强力快插外牙直接

PART NO.	Power O.D. (mm)	MFL Thread	Qty / Box
APMCF 0804M	8	1/4	40
APMCF 0806M	8	3/8	350

- 7/16-20 UNF corresponds to a 1/4 MFL
- 5/8-18 UNF corresponds to a 3/8 MFL

洁净强力接头 (GRAY / INCH)

Structure



■ Features

- 没有气体在管子和清洁圈流动。
- 功能是使用清洁的空气。
- 洁净接头的功能和强力接头相同。

CIMCBT - 洁净强力快插外牙直接

BSPT(PT)Thread



PART NO.	Power O.D.	BSPT(PT) Thread	Qty / Box
ACIMCBT 0504	5/16	1/4	400

CIBEU - 洁净强力快插双头弯接



PART NO.	Power O.D.	Power O.D.	Qty / Box
ACIBEU 0505	5/16	5/16	250
ACIBEU 0605	3/8	5/16	250
ACIBEU 0606	3/8	3/8	250

CIBUC - 洁净强力快插双头直接



PART NO.	Power O.D.	Power O.D.	Qty / Box
ACIBUC 0505	5/16	5/16	250
ACIBUC 0606	3/8	3/8	250

CIMCW - 洁净强力快插外牙直接

BSW Thread



PART NO.	Power O.D.	BSW Thread	Qty / Box
ACIMCW 05 9/16	5/16	9/16-24	400
ACIMCW 06 9/16	3/8	9/16-24	350

CIMCF - 洁净强力快插外牙直接

MFL Thread



PART NO.	Power O.D.	MFL Thread	Qty / Box
ACIMCF 0504	5/16	1/4	400
ACIMCF 0506	5/16	3/8	350

- 7/16-20 UNF corresponds to a 1/4 MFL
- 5/8-18 UNF corresponds to a 3/8 MFL

聚丙烯管件 (WHITE / INCH)



■ Suitable for

- **水行业以及食品行业**：DMT接头无毒安全，并且得到美国FDA, WRAS, ANSI/NSF-51, 61和SK ZERT的认证。其广泛应用于纯水行业，食品饮料行业以及医疗行业。
- **功能&质量**：DMT接头以其操作快捷，使用方便，并节约时间和成本著称。ISO9001, 14001认证也保证了客户对产品品质的高要求。
- **卡扣设计**：DMT接头独一无二的椭圆形卡扣设计更加实用。更能满足全球各行业客户的需要。
- **应用**：除了水和食品外，接头还能用于空气，气体，真空以及液体上。所有管接件可以充分的组装与拆卸。
- **颜色**：白色聚丙烯。

Pressure	10bar	4bar
Temperature	1°C (35°F) ~ 20°C (70°F)	65°C (150°F)

MC - 快插外牙直接

NPTF Thread



PART NO.	Tube O.D.	NPTF Thread	Qty / Box
PMC 0402W	1/4	1/8	400
PMC 0404W	1/4	1/4	350
PMC 0406W	1/4	3/8	300
PMC 0407W	1/4	1/2	150
PMC 0502W	5/16	1/8	400
PMC 0504W	5/16	1/4	400
PMC 0506W	5/16	3/8	350
PMC 0602W	3/8	1/8	300
PMC 0604W	3/8	1/4	300
PMC 0606W	3/8	3/8	250
PMC 0607W	3/8	1/2	200
PMC 0706W	1/2	3/8	200
PMC 0707W	1/2	1/2	150
PMC 0807W	5/8	1/2	80
PMC 1009W	7/8	3/4	40

MCB - 快插外牙直接

BSP(P) Thread New



PART NO.	Tube O.D.	BSP(P) Thread	Qty / Box
PMCB 0807W	5/8	1/2	100
PMCB 0809W	5/8	3/4	100
PMCB 1009W	7/8	3/4	50

ME - 快插外牙弯接

NPTF Thread



PART NO.	Tube O.D.	NPTF Thread	Qty / Box
PME 0402W	1/4	1/8	500
PME 0404W	1/4	1/4	350
PME 0406W	1/4	3/8	300
PME 0504W	5/16	1/4	300
PME 0506W	5/16	3/8	300
PME 0604W	3/8	1/4	250
PME 0606W	3/8	3/8	250
PME 0706W	1/2	3/8	200
PME 0707W	1/2	1/2	150


EU - 弯通



PART NO.	Tube O.D.	Tube O.D.	Qty / Box
PEU 0404W	1/4	1/4	350
PEU 0504W	5/16	1/4	300
PEU 0505W	5/16	5/16	300
PEU 0604W	3/8	1/4	200
PEU 0605W	3/8	5/16	200
PEU 0606W	3/8	3/8	200
PEU 0704W	1/2	1/4	150
PEU 0705W	1/2	5/16	150
PEU 0706W	1/2	3/8	150
PEU 0707W	1/2	1/2	150
PEU 1008W	7/8	5/8	50


聚丙烯管件 (WHITE / INCH)

TU - T型三通




PART NO.	Tube O.D. (A)	Tube O.D. (B)	Tube O.D. (C)	Qty / Box
PTU 010101W	5/32	5/32	5/32	350
PTU 030303W	3/16	3/16	3/16	350
PTU 040404W	1/4	1/4	1/4	300
PTU 050505W	5/16	5/16	5/16	200
PTU 060604W	3/8	3/8	1/4	150
PTU 060606W	3/8	3/8	3/8	150
PTU 070706W	1/2	1/2	3/8	100
PTU 070707W	1/2	1/2	1/2	100
PTU 080804W	5/8	5/8	1/4	50
PTU 080807W	5/8	5/8	1/2	50
PTU 080808W	5/8	5/8	5/8	40
PTU 080810W	5/8	5/8	7/8	40
PTU 100810W	7/8	7/8	7/8	30
PTU 101008W	7/8	7/8	5/8	30
PTU 100808W	7/8	5/8	5/8	40
PTU 101010W	7/8	7/8	7/8	30

TTU - T型直插三通




PART NO.	Tube O.D.	Tube O.D.	Stem O.D.	Qty / Box
PTTU 080808W	5/8	5/8	5/8	50

FAB - 快插内牙直接




PART NO.	Tube O.D.	BSP(P) Thread (Cone Type)	Qty / Box
PFAB 0406CW	1/4	3/8	250
PFAB 0407CW	1/4	1/2	200
PFAB 0506CW	5/16	3/8	200
PFAB 0507CW	5/16	1/2	200
PFAB 0606CW	3/8	3/8	200
PFAB 0607CW	3/8	1/2	200
PFAB 0608CW	3/8	5/8	150
PFAB 0708CW	1/2	5/8	150

FAB - 快插内牙直接




PART NO.	Tube O.D.	BSP(P) Thread (Flat Type)	Qty / Box
PFAB 0508FW	5/16	5/8	250
PFAB 0607FW	3/8	1/2	200
PFAB 0608FW	3/8	5/8	150
PFAB 0706FW	1/2	3/8	200
PFAB 0707FW	1/2	1/2	150
PFAB 0708FW	1/2	5/8	150

FA - 快插内牙直接




PART NO.	Tube O.D.	NPTF Thread	Qty / Box
PFA 0402W	1/4	1/8	400
PFA 0404W	1/4	1/4	400
PFA 0502W	5/16	1/8	300
PFA 0504W	5/16	1/4	300
PFA 0602W	3/8	1/8	300
PFA 0604W	3/8	1/4	300
PFA 0807W	5/8	1/2	100
PFA 0809W	5/8	3/4	100
PFA 1009W	7/8	3/4	50
PFA 1011W	7/8	1	40

FAUF - 快插内牙直接




PART NO.	Tube O.D.	UNF Thread (Cone Type)	Qty / Box
PFAUF 04 7/16CW	1/4	7/16 - 20	400
PFAUF 05 7/16CW	5/16	7/16 - 20	350
PFAUF 06 7/16CW	3/8	7/16 - 20	300

FAU - 快插内牙直接



PART NO.	Tube O.D.	UNS Thread (Cone Type)	Qty / Box
PFAU 04 7/16CW	1/4	7/16 - 24	400
PFAU 05 7/16CW	5/16	7/16 - 24	350
PFAU 06 7/16CW	3/8	7/16 - 24	300


FAUF - 快插内牙直接



PART NO.	Tube O.D.	UNF Thread (V - Type)	Qty / Box
PFAUF 04 7/16VW	1/4	7/16 - 20	400
PFAUF 05 7/16VW	5/16	7/16 - 20	300
PFAUF 06 7/16VW	3/8	7/16 - 20	300
PFAUF 06 5/8VW	3/8	5/8 - 18	350


● 7/16 UNF Corresponds to a 1/4 MFL
● 5/8 UNF Corresponds to a 3/8 MFL

FAUN - 快插内牙直接




PART NO.	Tube O.D.	UN Thread (V - Type)	Qty / Box
PFAUN 05 1/2VW	5/16	1/2 - 16	350
PFAUN 06 1/2VW	3/8	1/2 - 16	200
PFAUN 07 1/2VW	1/2	1/2 - 16	150

HA - 快插内牙直接




PART NO.	Tube O.D.	NPSH Thread	Qty / Box
PHA 1011W	7/8	1	400

SA - 快插外牙直接




PART NO.	Stem O.D.	NPTF Thread	Qty / Box
PSA 0102W	5/32	1/8	800
PSA 0104W	5/32	1/4	500
PSA 0302W	3/16	1/8	800
PSA 0402W	1/4	1/8	500
PSA 0404W	1/4	1/4	500
PSA 0502W	5/16	1/8	500
PSA 0504W	5/16	1/4	400
PSA 0506W	5/16	3/8	300
PSA 0604W	3/8	1/4	300
PSA 0606W	3/8	3/8	300
PSA 0706W	1/2	3/8	250
PSA 0707W	1/2	1/2	150

SABT - 快插外牙直接




PART NO.	Stem O.D.	BSPT(PT) Thread	Qty / Box
PSABT 0302W	3/16	1/8	800
PSABT 0504W	5/16	1/4	400
PSABT 0506W	5/16	3/8	300
PSABT 0604W	3/8	1/4	400
PSABT 0606W	3/8	3/8	300
PSABT 0707W	1/2	1/2	150

THWD - Y型四通




PART NO.	Tube O.D.	Tube O.D.	Qty / Box
PTHWD 0604W	3/8	1/4	150
PTHWD 0706W	1/2	3/8	50

TEU - 快插硬插弯接




PART NO.	Tube O.D.	Stem O.D.	Qty / Box
PTEU 0101W	5/32	5/32	800
PTEU 0303W	3/16	3/16	600
PTEU 0306W	3/16	3/8	500
PTEU 0404W	1/4	1/4	500
PTEU 0406W	1/4	3/8	400
PTEU 0505W	5/16	5/16	350
PTEU 0506W	5/16	3/8	350
PTEU 0606W	3/8	3/8	250
PTEU 0607W	3/8	1/2	200
PTEU 0707W	1/2	1/2	150
PTEU 0808W	5/8	5/8	50
PTEU 1010W	7/8	7/8	50

DA - 快插内牙直接




PART NO.	Tube O.D.	NPSH Thread	Qty / Box
PDA 0809W	5/8	3/4	50

BU - 穿板




PART NO.	Tube O.D.	Tube O.D.	Thread Size	Qty / Box
PBU 0101W	5/32	5/32	M16XP1	300
PBU 0303W	3/16	3/16	M16XP1	300
PBU 0404W	1/4	1/4	M16XP1	250
PBU 0406W	1/4	3/8	M20XP1.5	200
PBU 0505W	5/16	5/16	M20XP1.5	150
PBU 0604W	3/8	1/4	M20XP1.5	150
PBU 0606W	3/8	3/8	M20XP1.5	150
PBU 0707W	1/2	1/2	M27XP1.5	70

CR - 十型四通



PART NO.	Tube O.D.	Qty / Box
PCR 0101W	5/32	300
PCR 0404W	1/4	250
PCR 0505W	5/16	200
PCR 0606W	3/8	100
PCR 0707W	1/2	80

UC - 直通



PART NO.	Tube O.D.	Tube O.D.	Qty / Box
PUC 0101W	5/32	5/32	500
PUC 0303W	3/16	3/16	500
PUC 0404W	1/4	1/4	350
PUC 0501W	5/16	5/32	400
PUC 0503W	5/16	3/16	400
PUC 0504W	5/16	1/4	300
PUC 0505W	5/16	5/16	300
PUC 0603W	3/8	3/16	300
PUC 0604W	3/8	1/4	250
PUC 0605W	3/8	5/16	250
PUC 0606W	3/8	3/8	250
PUC 0705W	1/2	5/16	200
PUC 0706W	1/2	3/8	200
PUC 0707W	1/2	1/2	150
PUC 067.5W	3/8	7.5 (mm)	250
PUC 0807W	5/8	1/2	100
PUC 0808W	5/8	5/8	100
PUC 1008W	7/8	5/8	50
PUC 1010W	7/8	7/8	50

聚丙烯管件 (WHITE / INCH)

TES - 管尾接头

New



PART NO.	Tube O.D.	Qty / Box
PTES 04W	1/4	800
PTES 05W	5/16	600
PTES 06W	3/8	300
PTES 07W	1/2	300
PTES 08W	5/8	100
PTES 10W	7/8	50

PL - 管塞



PART NO.	Stem O.D.	Qty / Box
PPL 01W	5/32	1000
PPL 03W	3/16	1000
PPL 04W	1/4	1000
PPL 05W	5/16	700
PPL 06W	3/8	500
PPL 07W	1/2	400
PPL 08W	5/8	200
PPL 10W	7/8	100

SUC - 快插活牙直接

BSP(P) Thread



PART NO.	Tube O.D.	BSP(P) Thread	Qty / Box
PSUC 0807W	5/8	1/2	50
PSUC 0809W	5/8	3/4	50
PSUC 1009W	7/8	3/4	40

SEU - 快插活牙弯接

BSP(P) Thread



PART NO.	Tube O.D.	BSP(P) Thread	Qty / Box
PSEU 0807W	5/8	1/2	50
PSEU 0809W	5/8	3/4	50

TWD - Y型三通



PART NO.	Tube in	Tube out	Qty / Box
PTWD 0101W	5/32	5/32	400
PTWD 0404W	1/4	1/4	300
PTWD 0505W	5/16	5/16	200
PTWD 0605W	3/8	5/16	150
PTWD 0606W	3/8	3/8	150
PTWD 0607W	3/8	1/2	100
PTWD 0707W	1/2	1/2	100

KFA - 厨房龙头接管

NPSM Thread



PART NO.	Tube O.D.	NPSM Thread	Qty / Box
PKFA 0407W	1/4	1/2-14	100
PKFA 0607W	3/8	1/2-14	100

• For installing undercounter filters & RO systems



UB - U型弯通

New



PART NO.	Tube O.D.	Tube O.D.	Qty / Box
PUB 0404W	1/4	1/4	350
PUB 0505W	5/16	5/16	250
PUB 0606W	3/8	3/8	150
PUB 0707W	1/2	1/2	100
PUB 0808W	5/8	5/8	60
PUB 1010W	7/8	7/8	40

SVA - 厨房龙头接管

UNEF Thread

New



PART NO.	Tube O.D.	UNEF Thread	Qty / Box
PSVA 04 9/16W	1/4	9/16-24	200
PSVA 06 9/16W	3/8	9/16-24	150

• For an undercounter filter systems

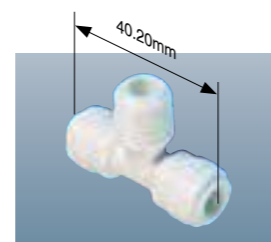


MTU - T型外牙三通

NPTF Thread



PART NO.	Tube O.D.	NPTF Thread	Qty / Box
PMTU 0404W	1/4	1/4	300



RD - 快插硬插直接



PART NO.	Tube O.D.	Stem O.D.	Qty / Box
PRD 0405W	1/4	5/16	700
PRD 0406W	1/4	3/8	500
PRD 0408W	1/4	5/8	300
PRD 0506W	5/16	3/8	400
PRD 0507W	5/16	1/2	300
PRD 0607W	3/8	1/2	300

TBC - 硬插宝塔直接

New



PART NO.	Stem O.D.	Tube I.D.	Qty / Box
PTBC 0404	1/4	1/4	1000
PTBC 0405	1/4	5/16	800
PTBC 0504	5/16	1/4	800
PTBC 0505	5/16	5/16	700
PTBC 0506	5/16	3/8	700
PTBC 0604	3/8	1/4	500
PTBC 0605	3/8	5/16	500
PTBC 0606	3/8	3/8	400
PTBC 0607	3/8	1/2	300
PTBC 0706	1/2	3/8	300
PTBC 0707	1/2	1/2	300

三通分水阀 Hand Tighten

New



PART NO.	TUBE OD	THREAD	BOX Qty
AVA6753CP	1/4"	3/8" x 3/8" Compression	70
AVA6713CP	3/8"	3/8" x 3/8" Compression	70
AVA6753CPB	1/4"	3/8" x 3/8" BSPP	70
AVA6713CPB	3/8"	3/8" x 3/8" BSPP	70

三通分水阀

• 非常简单与现有水路连接。设计要求适用于铜管，PEX管以及CPVC管。

5" Long

New



PART NO.	TUBE OD	TUBE OD BRANCH	BOX Qty
AVT67665S	5/8" x 5/8"	1/4"	25
AVT67661S	5/8" x 5/8"	3/8"	25
AVT67445S	7/8" x 7/8"	1/4"	25
AVT67665SM	15mm x 15mm	1/4"	25
AVT67661SM	15mm x 15mm	3/8"	25
AVT67445SM	22mm x 22mm	1/4"	25

厨房三通分水阀 Hand Tighten

New



PART NO.	TUBE OD	THREAD	BOX Qty
AVA6754	1/4"	1/2" x 1/2" NPS	50
AVA6714	3/8"	1/2" x 1/2" NPS	50
AVA6754BP	1/4"	1/2" x 1/2" BSPP	50
AVA6714BP	3/8"	1/2" x 1/2" BSPP	50

一体式厨下截止阀

Lead Free

- 一体式厨下截止阀和三通分水阀材质均为白色聚丙烯，以及EPDMO圈用以加固塑料材质，以便在供水管路安装时提供便利。
- 一体式厨下截止阀和三通分水阀用于饮用水系统，冰箱，制冰机，加湿器以及过滤装置等等。相较于传统球阀，我司产品提供了更加便捷的安装方式。
- 一体式厨下截止阀通过NSF以及ANSI 61 & 372。
- 一体式厨下截止阀均为1/4"口径。

Working Pressure and Temperature

Pressure	12bar	6bar
Temperature	20°C (70°F)	65°C (150°F)

三通分水阀 _ Hand Tighten



PART NO	TUBE OD	THREAD	BOX Qty
AVA6753CP	1/4"	3/8" x 3/8" Compression	70
AVA6713CP	3/8"	3/8" x 3/8" Compression	70
AVA6753CPB	1/4"	3/8" x 3/8" BSPP	70
AVA6713CPB	3/8"	3/8" x 3/8" BSPP	70

三通分水阀-铜外丝 _ Brass Shaft



PART NO	TUBE OD	THREAD	BOX Qty
AVA6753BCP	1/4"	3/8" x 3/8" Compression	70
AVA6713BCP	3/8"	3/8" x 3/8" Compression	70
AVA6753BB	1/4"	3/8" x 3/8" BSPP	70
AVA6713BB	3/8"	3/8" x 3/8" BSPP	70



* 转换接头适用于1/2" x 1/2" NPS/BSPP 或 3/8" x 3/8" Compression/BSPP

How to Connect



- ① 关闭现有手动阀，断开立管阀门。
- ② 与水阀连接我们的产品。
- ③ 立管连接我们的产品。
- ④ 每次请确保与球阀完美连接，打开阀门并检查是否有漏水。

厨房三通球阀 _ Hand Tighten



PART NO	TUBE OD	THREAD	BOX Qty
AVA6754	1/4"	1/2" x 1/2" NPS	50
AVA6714	3/8"	1/2" x 1/2" NPS	50
AVA6754BP	1/4"	1/2" x 1/2" BSPP	50
AVA6714BP	3/8"	1/2" x 1/2" BSPP	50

三通分水阀

非常简单与现有水路连接。设计要求适用于铜管，PEX管以及CPVC管。



PART NO	TUBE OD	TUBE OD BRANCH	BOX Qty
AVT67665S	5/8" x 5/8"	1/4"	25
AVT67661S	5/8" x 5/8"	3/8"	25
AVT67445S	7/8" x 7/8"	1/4"	25
AVT67665SM	15mm x 15mm	1/4"	25
AVT67661SM	15mm x 15mm	3/8"	25
AVT67445SM	22mm x 22mm	1/4"	25

Angle Check Valve



PART NO	TUBE OD	THREAD	BOX / QTY
CVA54B	1/4"	1/2" x 1/2" NPS	50
CVA14B	3/8"	1/2" x 1/2" NPS	50
CVA53BB	1/4"	3/8" x 3/8" BSPP	50
CVA13BB	3/8"	3/8" x 3/8" BSPP	50
CVA54BBP	1/4"	1/2" x 1/2" BSPP	50
CVA14BBP	3/8"	1/2" x 1/2" BSPP	50

ICE Maker/Water Supply Kit



PART NO	BAG / QTY	BOX / QTY
DIK-T (Clear)	1	20
DIK-W (White)	1	20
DIK-B (Blue)	1	20

Contains : (1) 25ft 1/4" PE-RT Tubing, (1) 1/4" Stop Valve, (1) 1/4" Female Adaptor



VALVES (WHITE / INCH)

Control Valves

■ Features

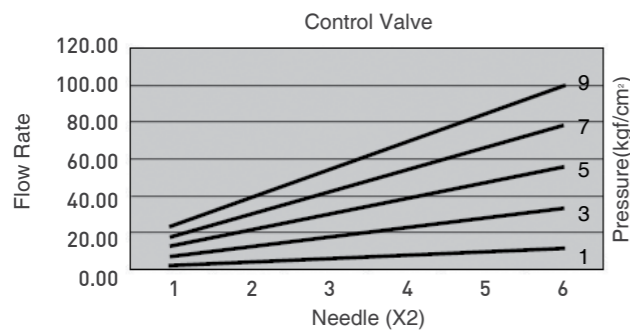
- 坚固，耐用。
可以在多种化学物质和气体中使用，然而除了水和空气中使用以外，请参考化学物质相容表或咨询我们的销售代表。
使用中请勿过强地振动，撞击或有其他过强的负载，扭力，以免产品本体损坏以及夹扣脱落。
- 颜色：英制-白色（乙缩醛）
公制-黑色（乙缩醛）

Working Pressure and Temperature

Pressure	10bar	4bar
Temperature	1°C(35°F) ~ 20°C(70°F)	65°C(150°F)

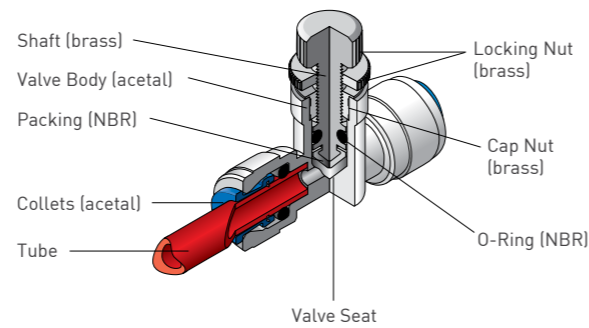


Flow Rate Per Rotation of Valve Stem

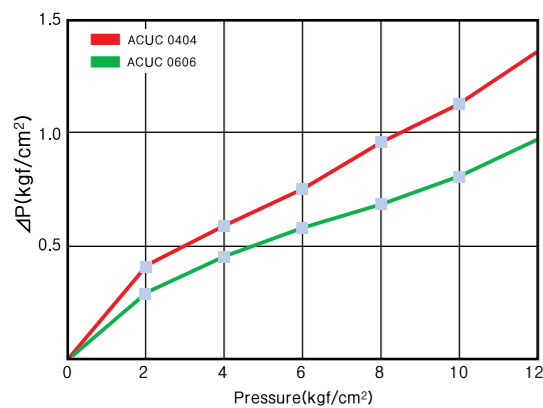
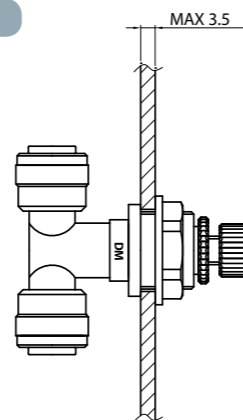


※ Above data may vary depending on the time and temperature variations.

Structure



Assembly



CUC - 流量控制阀



PART NO.	Tube O.D.	Tube O.D.	Qty / Box
ACUC 0404	1/4	1/4	250
ACUC 0606	3/8	3/8	150

PART NO.	Tube O.D. (mm)	Tube O.D. (mm)	Qty / Box
ACUC 0606M	6	6	200
ACUC 1010M	10	10	150

CEU - 流量控制阀



PART NO.	Tube O.D.	Tube O.D.	Qty / Box
ACEU 0404	1/4	1/4	250
ACEU 0606	3/8	3/8	150

PART NO.	Tube O.D. (mm)	Tube O.D. (mm)	Qty / Box
ACEU 0606M	6	6	250
ACEU 1010M	10	10	150

CFA - 流量控制阀



PART NO.	Tube O.D.	NPTF Thread	Qty / Box
ACFA 0404	1/4	1/4	250
ACFA 0606	3/8	3/8	150

PART NO.	Tube O.D. (mm)	BSP(T) Thread	Qty / Box
ACFA 0604M	6	1/4	200
ACFA 1006M	10	3/8	150

CMC - 流量控制阀



PART NO.	Tube O.D.	NPTF Thread	Qty / Box
ACMC 0404	1/4	1/4	250
ACMC 0606	3/8	3/8	150

PART NO.	Tube O.D. (mm)	BSP(T) Thread	Qty / Box
ACMC 0604M	6	1/4	250
ACMC 1006M	10	3/8	150

BCUC-Bulkhead Control valve union Connector

New



PART NO.	Tube O.D.	Tube O.D.	Qty / Box
ABCUC 0404	1/4	1/4	200
ABCUC 0606	3/8	3/8	120

PART NO.	Tube O.D. (mm)	Tube O.D. (mm)	Qty / Box
ABCUC 0606M	6	6	150
ABCUC 1010M	10	10	120

BCFA-Bulkhead Control valve Female Adapter

New



PART NO.	Tube O.D.	Tube O.D.	Qty / Box
ABCFA 0404	1/4	1/4	200
ABCFA 0606	3/8	3/8	120

PART NO.	Tube O.D. (mm)	Tube O.D. (mm)	Qty / Box
ABCFA 0604M	6	1/4	150
ABCFA 1010M	10	3/8	120

BCEU-Bulkhead Control valve Elbow Union

New



PART NO.	Tube O.D.	Tube O.D.	Qty / Box
ABCEU 0404	1/4	1/4	200
ABCEU 0606	3/8	3/8	120

PART NO.	Tube O.D. (mm)	Tube O.D. (mm)	Qty / Box
ABCEU 0606M	6	6	150
ABCEU 1010M	10	10	120

BCMC-Bulkhead Control valve Male Connector

New



PART NO.	Tube O.D.	Tube O.D.	Qty / Box
ABCMC 0404	1/4	1/4	200
ABCMC 0606	3/8	3/8	120

PART NO.	Tube O.D. (mm)	Tube O.D. (mm)	Qty / Box
ABCMC 0604M	6	1/4	150
ABCMC 1010M	10	3/8	120

VALVES (WHITE / INCH)

球阀

■ Features



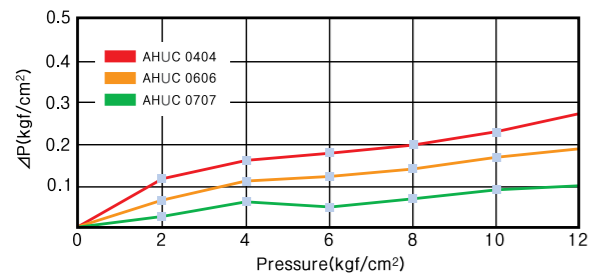
- 可以在多种化学物质和气体中使用，然而除了在水和空气中使用以外，请参考化学物质相容表或咨询我们的销售代表。
- 使用中请勿过强地振动，撞击或有其他过强的负载，扭力，以免产品本体损坏以及夹扣脱落。

可以轻松的直角回转打开和关闭阀体。
可以部分控制水流 (高, 中, 低) 坚固的设计。

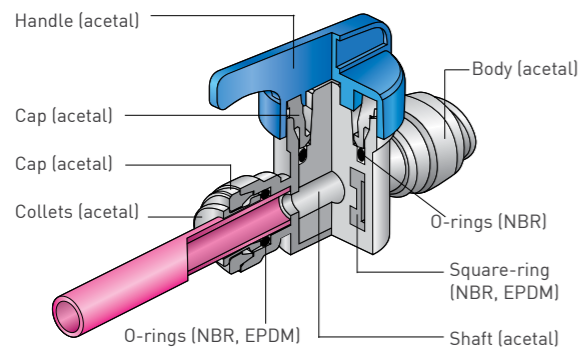
- 颜色：英制-白色 (乙缩醛)
公制-黑色 (乙缩醛)
- 把手最大扭力：0.2N-M

Working Pressure and Temperature

	Temperature	Pressure
Air	-20℃	10bar
Air / Liquid	1℃	10bar
	20℃	10bar
	65℃	7bar



Structure



HMC - 止水阀



PART NO.	Tube O.D.	NPTF Thread	Qty / Box
AHMC 0404	1/4	1/4	150
AHMC 0606	3/8	3/8	100
AHMC 0707	1/2	1/2	70

HUC - 止水阀



Fitting Size	PART NO.	Tube O.D.	Tube O.D.	Qty / Box
Small Size	AHUC 0404	1/4	1/4	150
	AHUC 0505	5/16	5/16	100
	AHUC 0606	3/8	3/8	100
	AHUC 0707	1/2	1/2	70
Large Size	AHUC 0806	5/8	3/8	50
	AHUC 0807	5/8	1/2	50
	AHUC 0808	5/8	5/8	40
	AHUC 1010	7/8	7/8	20

HFA - 止水阀



Fitting Size	PART NO.	Tube O.D.	NPTF Thread	Qty / Box
Small Size	AHFA 0404	1/4	1/4	100
	AHFA 0604	3/8	1/4	100
	AHFA 0606	3/8	3/8	100
	AHFA 0607	3/8	1/2	80
	AHFA 0706	1/2	3/8	70
	AHFA 0707	1/2	1/2	70
Large Size	AHFA 0806	5/8	3/8	40
	AHFA 0807	5/8	1/2	50

HFAUC - 止水阀



PART NO.	Tube O.D.	NPTF Thread	Qty / Box
AHFAUC 0607	3/8	1/2	100
PART NO.	Tube O.D. (mm)	BSP(PT) Thread	Qty / Box
AHFAUC 1007M	10	1/2	100

球阀

HUCS - 止水阀



PART NO.	Tube O.D.	Tube O.D.	Qty / Box
AHUCS 0606	3/8	3/8	100

* Order siges with short handle are available by customer's demand.

MCLP - 球阀卡座



PART NO.	Size	Qty / Box
AMCLP06	3/8	200

HVEU - 手动球阀



PART NO.	Tube O.D.	Tube O.D.	Qty / Box
AHVEU 0608	3/8	5/8	50

HWM - 隔板球阀



PART NO.	Tube O.D.	BSP(PT) Thread	Thread Size	Qty / Box
AHWM 0809	5/8	3/4	M3.0XP3.5	20

TWV - 三通球阀



PART NO.	Tube O.D.	Tube O.D.	Tube O.D.	Qty / Box
ATWV 080808	5/8	5/8	5/8	20

HBC - 手动宝塔接管



PART NO.	Tube O.D.	Tube I.D.	Qty / Box
AHBC 0807	5/8	1/2	100
AHBC 1007	7/8	1/2	60
AHBC 1009	7/8	3/4	60

VALVES (BLACK / METRIC)

球阀

HMC - 止水阀



PART NO.	Tube O.D. (mm)	BSP(PT) Thread	Qty / Box
AHMC 0604M	6	1/4	150
AHMC 1006M	10	3/8	100
AHMC 1207M	12	1/2	70

HVMCB - 止水阀



PART NO.	Tube O.D.(mm)	BSP(P) Thread	Qty / Box
AHVMCB 1509M	15	3/4	30

HUC - 止水阀



Fitting Size	PART NO.	Tube O.D. (mm)	Tube O.D. (mm)	Qty / Box
Small Size	AHUC 0606M	6	6	150
	AHUC 0808M	8	8	100
	AHUC 1010M	10	10	100
	AHUC 1212M	12	12	70
Large Size	AHUC 1510M	15	10	50
	AHUC 1512M	15	12	50
	AHUC 1515M	15	15	40
	AHUC 1610M	16	10	50
	AHUC 1616M	16	16	40
	AHUC 2222M	22	22	20

HFA - 止水阀



Fitting Size	PART NO.	Tube O.D. (mm)	BSP(PT) Thread	Qty / Box
Small Size	AHFA 0604M	6	1/4	150
	AHFA 1006M	10	3/8	100
	AHFA 1007M	10	1/2	100
	AHFA 1206M	12	3/8	70
	AHFA 1207M	12	1/2	70
Large Size	AHFA 1506M	15	3/8	40
	AHFA 1507M	15	1/2	40
	AHFA 1606M	16	3/8	40
	AHFA 1607M	16	1/2	40

TWV - 三通球阀



PART NO.	Tube O.D. (mm)	Tube O.D. (mm)	Tube O.D. (mm)	Qty / Box
ATWV 121212M	12	12	12	20

PART NO.	Tube O.D. (mm)	Tube O.D. (mm)	Tube O.D. (mm)	Qty / Box
ATWV 161616M	16	16	16	20

HBC - 手动宝塔接管



PART NO.	Tube O.D. (mm)	Tube I.D.	Qty / Box
AHBC 1507M	15	1/2	100
AHBC 2107M	21	1/2	60
AHBC 2109M	21	3/4	50
AHBC 2207M	22	1/2	60
AHBC 2209M	22	3/4	50

HSV - 手动止水阀



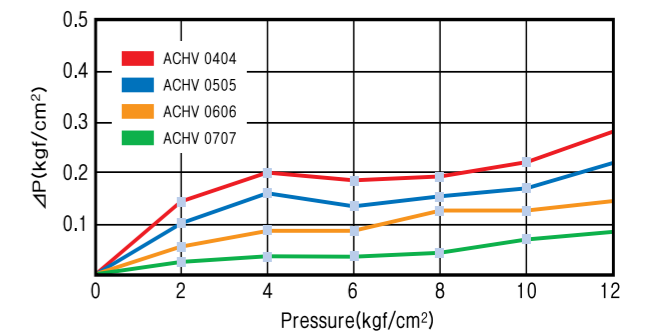
PART NO.	Tube O.D.(mm)	Tube O.D.(mm)	Qty / Box
AHSV 1515M	15	15	80
AHSV 2115M	21	15	60
AHSV 2215M	22	15	60

THC - 手动控制阀



PART NO.	Tube O.D.(mm)	Tube O.D.(mm)	Qty / Box
ATHC 1515M	15	15	20
ATHC 2222M	22	22	10

单向阀



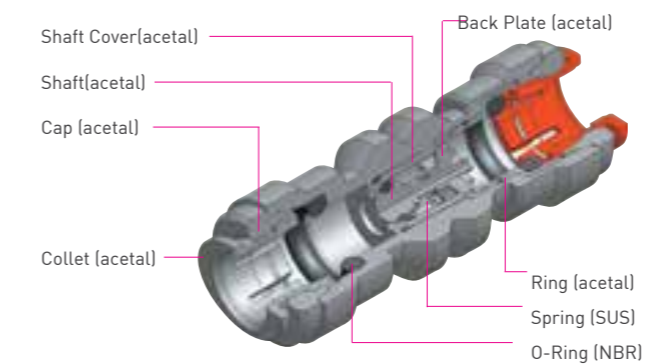
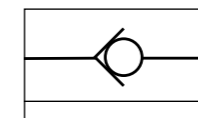
Features

- 可以在多种化学物质和气体中使用，然而除了水和空气中使用以外，请参考化学物质相容表或咨询我们的销售代表。
- 使用中请勿过强地振动，撞击或有其他过强的负载，扭力，以免产品本体损坏以及夹扣脱落。结构紧凑，功能卓越。
- 颜色：英制-白色(乙缩醛)
公制-黑色(乙缩醛)

Working Pressure and Temperature

Pressure	10bar	5bar
Temperature	1°C(35°F) ~ 20°C(70°F)	65°C(150°F)

Check Valve Sign



CHV - 单向阀



PART NO.	Outlet Tube O.D.	Inlet Tube O.D.	Qty / Box
ACHV 0404	1/4	1/4	300
ACHV 0405	1/4	5/16	250
ACHV 0505	5/16	5/16	250
ACHV 0606	3/8	3/8	200
ACHV 0707	1/2	1/2	150

PART NO.	Outlet Tube O.D.(mm)	Inlet Tube O.D.(mm)	Qty / Box
ACHV 0606M	6	6	250
ACHV 0808M	8	8	200
ACHV 1010M	10	10	200
ACHV 1212M	12	12	150

DCHV - 双重单向阀



PART NO.	Tube O.D.	Tube O.D.	Qty / Box
ADCHV 0404	1/4	1/4	200

DCHV - 双重单向阀



PART NO.	Tube O.D. (mm)	Tube O.D. (mm)	Qty / Box
ADCHV 1515M	15	15	50

MCHV - 单向阀



PART NO.	Tube O.D.	NPTF Thread	Qty / Box
AMCHV 0402W	1/4	1/8	500

• 1kgf/cm2 - 980cc/min

VALVES (GRAY / INCH)

断流阀



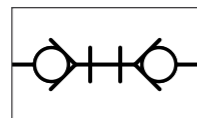
■ Features

- 作为一触式接头，此款产品常用于管路设备经常发生变化时。
- 连接时两个方向流动。
- 当推到打开位置时两个方向都停止流动。
- 易于装配。

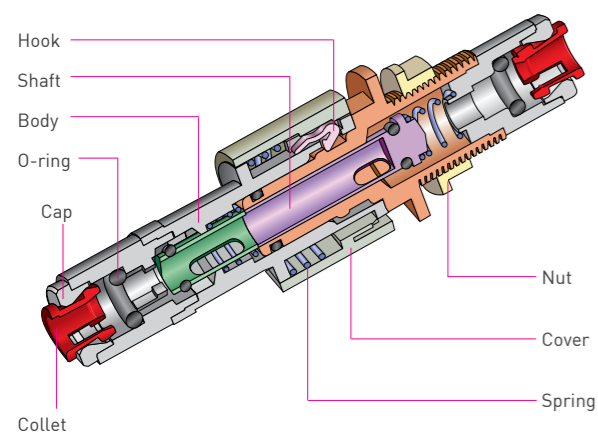
Working Pressure and Temperature

Pressure	10bar	5bar
Temperature	1°C(35°F) ~ 20°C(70°F)	65°C(150°F)

Stop Valve Sign



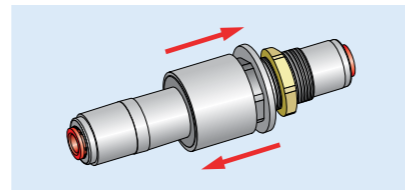
Structure



说明

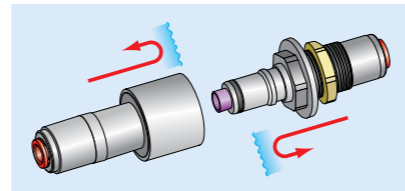
■ Connector

- 连接时两个方向流动



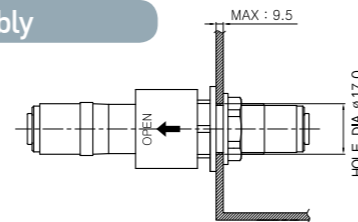
■ Disconnecter

- 当推到打开的位置时两个方向都停止流动。



Assembly

- Just keep the direction marked on Body.



STVUC - 直通断流阀



PART NO.	Tube O.D.	Tube O.D.	Qty / Box
ASTVUC 0404	1/4	1/4	5

STVBU - 穿板断流阀



PART NO.	Tube O.D.	Tube O.D.	Thread Size	Qty / Box
ASTVBU 0404	1/4	1/4	M16XP1	5

STVBUE - 穿板断流阀



PART NO.	Tube O.D.	Tube O.D.	Thread Size	Qty / Box
ASTVBUE 0404	1/4	1/4	M16XP1	5

BSTMC - 快插外牙直接断流阀



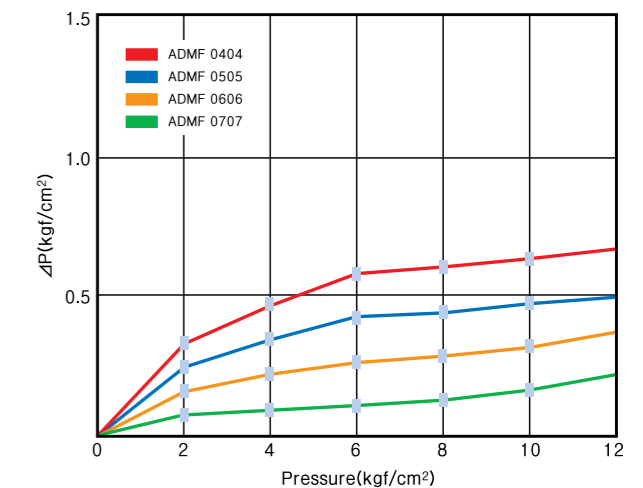
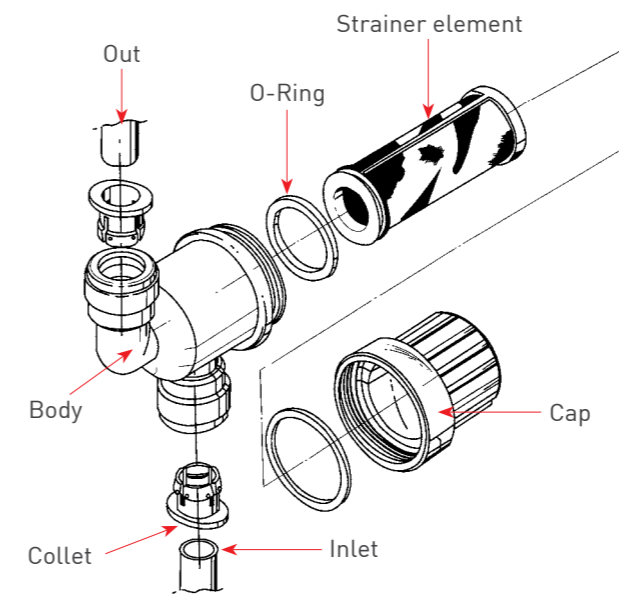
- Various sizes are available by the request of customers.
- Please contact the local representative office for more information.

前置预过滤器及其他



■ Features

- 特点：
 - 凹凸的耐用的过滤器滤网，除100mesh（标准）外，还可以选择150mesh及200mesh。
 - 适合使用DMfit管子，配件和其它生产商符合标准尺寸的各种管件。
- 可供选择的颜色：灰色，白色和黑色。
- 可分离的帽子和本体更容易保养和清洁。
- 可以在各种化学物质和气体中使用，然而除了在水和空气中使用以外，请参考化学物质相容表或咨询我们的销售代表。
- 不要对过滤器使用过强的振动，扭力和撞击或其他很强烈的负载，以免过滤器本体的损坏以及夹扣的脱落。



工作压力和湿度

Size	1/4"	5/16"	3/8"	1/2"
Parameter	6mm	8mm	10mm	12mm
Pressure	170psi			
Temperature	Air -20°C(-4°F) ~ 65°C(150°F) Liquid			

- ※ 最大的压力值是在常温下使用。
- ※ 在持续超过温度和压力的情况下使用，请咨询我们的销售代表。

Inch Size (Standard-100Mesh)

PART NO.	INLET	OUTLET	Qty / Box
ADM 0404	1/4	1/4	50
ADM 0505	5/16	5/16	50
ADM 0606	3/8	3/8	50
ADM 0707	1/2	1/2	40

过滤器的材料和网孔的尺寸

Screen Mesh	Standard	Special Order
	100 Mesh	150 Mesh
Material	SUS	

- ※ 标准情况下提供的是100Mesh。
- ※ 在特殊要求下可以选择150Mesh和200Mesh

Metric Size (Standard-100Mesh)

PART NO.	INLET (mm)	OUTLET (mm)	Qty / Box
ADM 0606M	6	6	50
ADM 0808M	8	8	50
ADM 1010M	10	10	50
ADM 1212M	12	12	40

铜质接头



■ Suitable for

- 对液压钢管使用我们的连接管，方便连接，拆放，修理钢管更快，更方便，更安全。
我们有多种尺寸和功能的接头，能满足各种需求下的所有管子。
我们椭圆形的夹扣设计为了方便管子的移动，但同时有很强的连接作用。
本体的六角形剖面方便用扳手紧密固定。
- 颜色：主体-黄铜，铭黄 夹扣-白色

Working Pressure and Temperature

Pressure	12bar	6bar
Temperature	1°C(35°F) ~ 20°C(70°F)	65°C(150°F)

BUN - 黄铜直通



PART NO.	Tube O.D.	Tube O.D.	Qty / Box
BUN 0808	5/8	5/8	
BUN 1010	7/8	7/8	
PART NO.	Tube O.D. (mm)	Tube O.D. (mm)	Qty / Box
BUN 1515M	15	15	
BUN 1616M	16	16	
BUN 1818M	18	18	
BUN 2222M	22	22	

BFAB - 黄铜快插内牙直接



BSP(P) Thread

PART NO.	Tube O.D.	BSP(P) Thread	Qty / Box
BFAB 0807	5/8	1/2	
BFAB 1009	7/8	3/4	
BFAB 1011	7/8	1	
PART NO.	Tube O.D. (mm)	BSP(P) Thread	Qty / Box
BFAB 1507M	15	1/2	
BFAB 1607M	16	1/2	
BFAB 2209M	22	3/4	
BFAB 2211M	22	1	

BFA - 黄铜快插内牙直接



BSPT(PT) Thread

PART NO.	Tube O.D.	BSPT(PT) Thread	Qty / Box
BFA 0807	5/8	1/2	
BFA 1009	7/8	3/4	
BFA 1011	7/8	1	
PART NO.	Tube O.D. (mm)	BSPT(PT) Thread	Qty / Box
BFA 1507M	15	1/2	
BFA 1607M	16	1/2	
BFA 2209M	22	3/4	
BFA 2211M	22	1	

BMCB - 黄铜快插外牙直接



BSP(P) Thread

PART NO.	Stem O.D. (mm)	BSP(P) Thread	Qty / Box
BMCB 1007M	10	1/2	
BMCB 1207M	12	1/2	
BMCB 1509M	15	3/4	
BMCB 2209M	22	3/4	
BMCB 2211M	22	1	
BMCB 2811M	28	1	
BMCT 1207M	12	1/2	
BMCT 1507M	15	1/2	
BMCT 2209M	22	3/4	
BMCT 2811M	28	1	

BMSAB - 黄铜快插外牙直接



BSP(P) Thread

PART NO.	Stem O.D. (mm)	BSP(P) Thread	Qty / Box
BMSAB 1507M	15	1/2	
BMSAB 2209M	22	3/4	
BMSAB 1507M	15	1/2	
BMSAB 2209M	22	3/4	
BMSAB 2811M	28	1	
BFSAB 1507M	15	1/2	
BFSAB 2209M	22	3/4	
BMSAT 1507M	15	1/2	
BMSAT 2209M	22	3/4	
BMSAT 2811M	28	1	

BDC - 黄铜排水旋塞



PART NO.	Stem O.D. (mm)	Tube I.D. (mm)	Qty / Box
BDC 15M	15	13.8	

BFEB - 黄铜排水旋塞



BSP(P) Thread

PART NO.	Tube O.D. (mm)	BSP(P) Thread	Qty / Box
BFEB 1507M	15	1/2	
BFEB 2209M	22	3/4	

快接组装套件



■ 成套使用的夹头

- 成套使用的夹头可在乙缩醛，黄铜和不锈钢中使用。
- 他们提供可以简化产品尺寸和形状的应用方案。
- 另外，相比配件，他们更有效。
- 易于安装，组合节省时间。
- 两个O圈更能完全密封（参考槽的尺寸）

AC - 快接组装套件-乙缩醛卡座



Inch size	PART NO.	Tube O.D.	Qty / Box
ACETAL CARTRIDGE O-RING NBR	ACU 01	5/32	2000
	ACU 03	3/16	2000
	ACP 04	1/4	1000
	ACP 05	5/16	1000
	ACP 06	3/8	700
	ACP 07	1/2	500

Metric size	PART NO.	Tube O.D. (mm)	Qty / Box
ACETAL CARTRIDGE O-RING NBR	ACU 04M	4	2000
	ACU 05M	5	2000
	ACP 06M	6	1000
	ACP 08M	8	1000
	ACP 10M	10	700
	ACP 12M	12	500

BC - 快接组装套件-铜质卡座



Inch size	PART NO.	Tube O.D.	Qty / Box
BRASS CARTRIDGE O-RING NBR	BC 01	5/32	2000
	BC 03	3/16	2000
	BC 04	1/4	1000
	BC 05	5/16	1000
	BC 06	3/8	700
	BC 07	1/2	500

Metric size	PART NO.	Tube O.D. (mm)	Qty / Box
BRASS CARTRIDGE O-RING NBR	BC 04M	4	2000
	BC 05M	5	1000
	BC 06M	6	1000
	BC 08M	8	1000
	BC 10M	10	700
	BC 12M	12	500
	BC 15M	15	500
	BC 22M	22	300

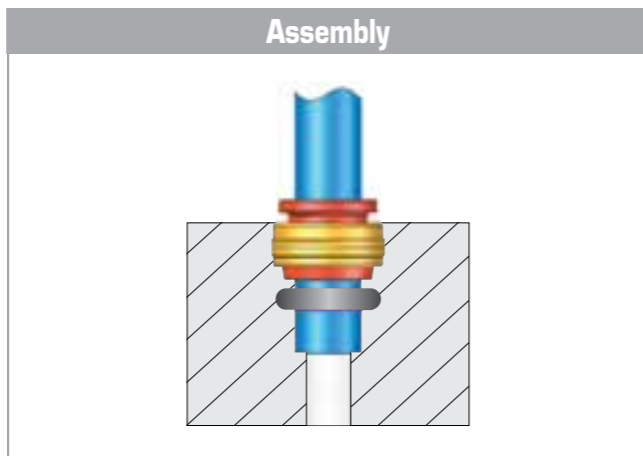
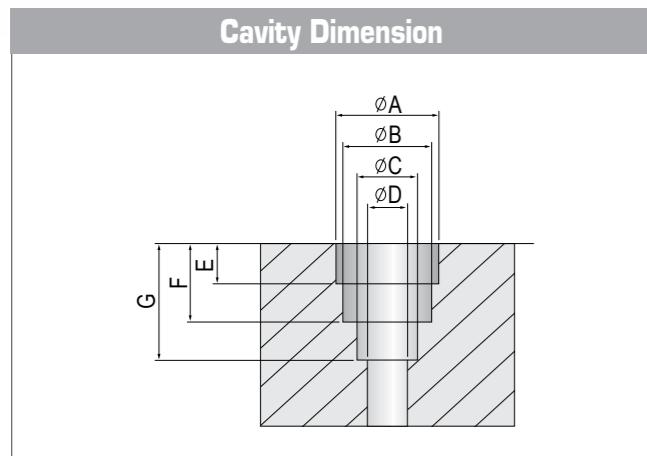
SC - 快接组装套件-不锈钢卡座



Inch size	PART NO.	Tube O.D.	Qty / Box
STAINLESS STEEL CARTRIDGE O-RING NBR	SC 01	5/32	2000
	SC 03	3/16	2000
	SC 04	1/4	1000
	SC 05	5/16	1000
	SC 06	3/8	700
	SC 07	1/2	500

Metric size	PART NO.	Tube O.D. (mm)	Qty / Box
STAINLESS STEEL CARTRIDGE O-RING NBR	SC 04M	4	2000
	SC 05M	5	1000
	SC 06M	6	1000
	SC 08M	8	1000
	SC 10M	10	700
	SC 12M	12	500
	SC 15M	15	500
	SC 22M	22	300

CARTRIDGES



Inch Sizes

(Unit: inch)

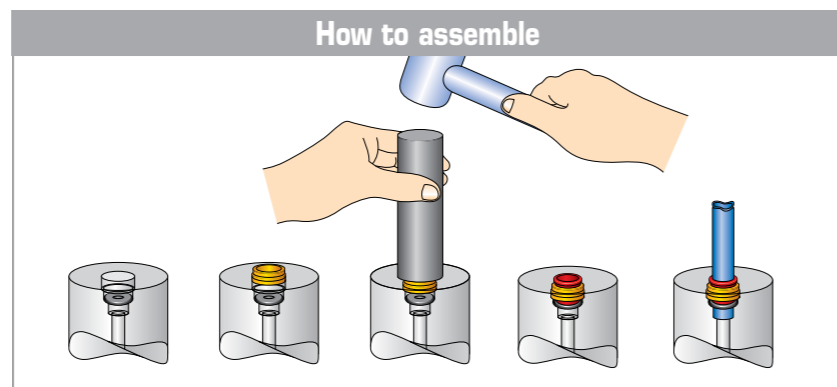
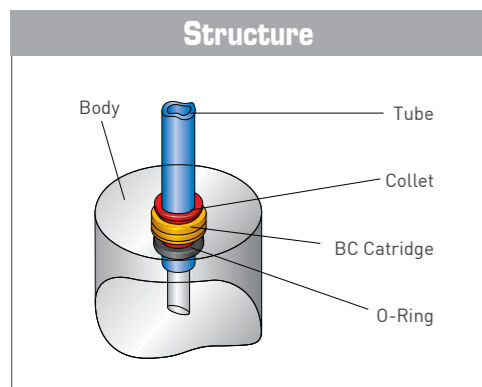
Size (Inch)	$\phi A \pm 0.002''$	$\phi B \pm 0.002''$	$\phi C \pm 0.002''$	$\phi D \pm 0.002''$	$\phi E \pm 0.01''/-0$	$\phi F1 \pm 0.006''$	$\phi F2 \pm 0.006''$	$\phi G1 \pm 0.006''$	$\phi G2 \pm 0.006''$
5/32	0.490	0.317	0.161	0.098	0.181	0.370	0.462	0.502	0.594
3/16	0.470	0.344	0.197	0.126	0.181	0.370	0.462	0.502	0.594
1/4	0.528	0.421	0.257	0.169	0.181	0.373	0.477	0.545	0.653
5/16	0.542	0.465	0.323	0.217	0.213	0.413	0.508	0.615	0.709
3/8	0.630	0.563	0.382	0.250	0.268	0.472	0.574	0.719	0.822
1/2	0.775	0.661	0.508	0.374	0.303	0.525	0.629	0.827	0.945

Metric Sizes

(Unit: mm)

Size (mm)	$\phi A \pm 0.05$	$\phi B \pm 0.05$	$\phi C \pm 0.05$	$\phi D \pm 0.05$	$\phi E \pm 0.25/-0$	$\phi F1 \pm 0.15$	$\phi F2 \pm 0.15$	$\phi G1 \pm 0.15$	$\phi G2 \pm 0.15$
4	12.44	8.05	4.20	2.50	4.59	9.39	11.73	12.75	15.08
5	11.93	8.73	5.20	3.50	4.59	9.39	11.73	12.75	15.08
6	13.41	10.69	6.20	4.00	4.59	9.47	12.22	13.84	16.59
8	13.76	11.81	8.20	6.00	5.41	10.50	12.90	15.63	18.00
10	16.00	14.30	10.20	7.00	6.80	11.98	14.28	18.27	20.87
12	19.68	16.78	12.20	9.00	7.69	13.33	16.27	21.00	24.00
15	22.90	20.20	15.20	12.00	9.00	17.20	20.00	26.30	26.30
22	31.05	27.60	22.20	19.20	10.90	21.10	24.30	31.30	31.30

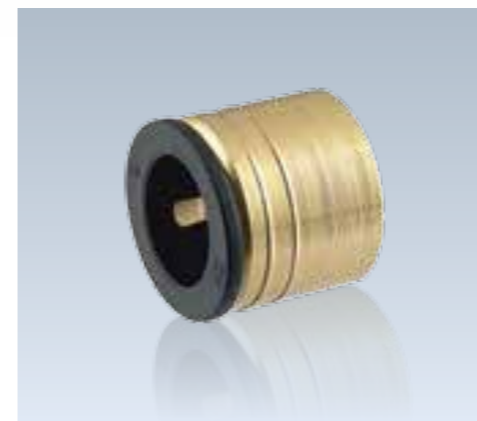
※ Double O-rings half cartridges : Columns F2 and G2



● 注意事项 :

用特殊工具轻轻的将主体插入凹槽处。(如没有特殊工具,可以选用表面光滑的工具)
轻轻拔管插入时请检查主体和凹槽部分是否分离。

埋入式三件组

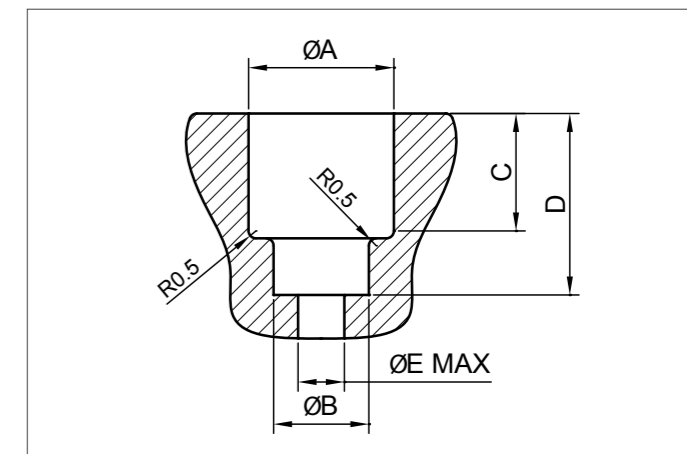
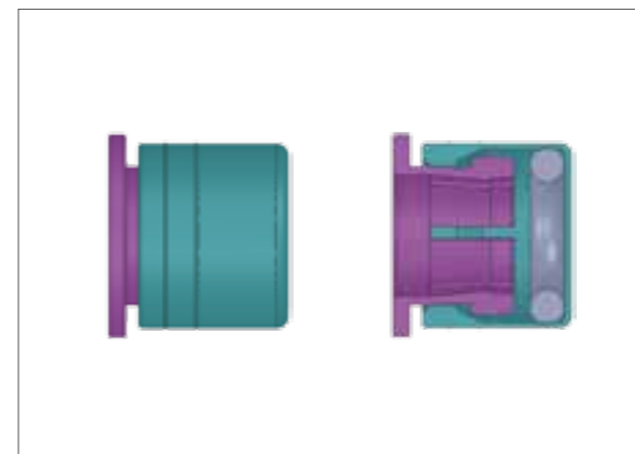


■ Features

● 特点 :

1. 埋入式三件组旨在提供客户一种节约成本以及有效的方式来连接管子和金属产品。
2. 由主体, NBRO圈以及卡爪组成。
3. 主体有利于空气压缩装置。
4. 请确认你的装置是否需要与其他产品粘合。
5. 如需与塑料产品连接, 请参考45页和46页。

■ Cavity Dimensions



Metric Sizes



Size(mm)	$\phi A \pm 0.05$	$\phi B \pm 0.05$	$\phi C \pm 0.25$	$D \pm 0.15$	$\phi E MAX$
4	9.12	4.20	9.30	12.65	2.75
5	9.82	5.20	9.90	13.25	3.50
6	11.78	6.20	11.30	15.67	4.00
8	12.88	8.20	11.05	16.18	6.00
10	15.38	10.20	12.40	18.69	7.00
12	17.88	12.20	13.80	21.47	9.00

※ 所有尺寸均为英尺。

ACCESSORIES

TS - 管塞



PART NO.	Tube O.D.	Tube I.D.	Qty / Box
ATS 04	1/4	0.170	3,500
ATS 05	5/16	0.216	3,000
ATS 06	3/8	1/4	1,500
ATS 07	1/2	0.350	800
ATS 08	5/8	0.476	600
ATS 10	7/8	0.669	500

• 管塞建议使用在软或薄的管子里。

PART NO.	Tube O.D. (mm)	Tube I.D. (mm)	Qty / Box
ATS 06M	6	4	3,500
ATS 08M	8	6	3,000
ATS 10M	10	7	1,600
ATS 12M	12	9	800
ATS 15M	15	11.4	600
ATS 16M	16	12	600
ATS 18M	18	14	400
ATS 22M	22	17.6	500
ATS 28M	28	23	300

DSI - 管堵



PART NO.	Tube O.D.	Tube I.D.	Qty / Box
ADSI 06	3/8	1/4	2,000
ADSI 07	1/2	0.332	1,000
ADSI 08	5/8	0.472	800
ADSI 10	7/8	0.669	600

PART NO.	Tube O.D. (mm)	Tube I.D. (mm)	Qty / Box
ADSI 08M	8	6	3,000
ADSI 10M	10	7	2,000
ADSI 12M	12	9	1,000
ADSI 15M	15	11.5	600
ADSI 16M	16	12	800
ADSI 18M	18	14	600
ADSI 22M	22	17.5	600
ADSI 28M	28	23	400

COV - 管盖



PART NO.	Tube O.D.	Qty / Box
ACOV 04	1/4	700
ACOV 05	5/16	600
ACOV 06	3/8	600
ACOV 07	1/2	500
ACOV 08	5/8	500
ACOV 10	7/8	300

PART NO.	Tube O.D. (mm)	Qty / Box
ACOV 06M	6	700
ACOV 08M	8	600
ACOV 10M	10	600
ACOV 12M	12	500
ACOV 15M	15	500
ACOV 16M	16	500
ACOV 18M	18	400
ACOV 22M	22	300
ACOV 28M	28	200

LC - 卡环



PART NO.	Tube O.D.	Qty / Box
ALC 03	3/16	12,000
ALC 04	1/4	10,000
ALC 05	5/16	8,000
ALC 06	3/8	7,000
ALC 07	1/2	5,000
ALC 08	5/8	2,500
ALC 10	7/8	2,000

PART NO.	Tube O.D. (mm)	Qty / Box
ALC 05M	5	12,000
ALC 06M	6	10,000
ALC 08M	8	8,000
ALC 10M	10	7,000
ALC 12M	12	5,000
ALC 15M	15	4,000
ALC 16M	16	4,000
ALC 18M	18	3,000
ALC 22M	22	2,000
ALC 28M	28	2,000



• 确保牢固以及更加安全的连接。
• 简单识别其突出的标签，安装和拆卸。
• 多色供选。

FBC - 管槽



PART NO.	Tube O.D.	Qty / Box
AFBC 05	5/16	300
AFBC 06	3/8	200
AFBC 07	1/2	150

PART NO.	Tube O.D. (mm)	Qty / Box
AFBC 06M	6	400
AFBC 08M	8	300
AFBC 10M	10	200
AFBC 12M	12	150

PART NO.	Tube O.D.	Qty / Box
NFBC 08	1/2(12mm) to 5/8(15mm)	100

• FBC08材质为尼龙66。
• 提供管子90度弯曲的简单方法。
• 可以用于设备内部，以及用螺丝固定在墙上。

SP - 卸卡器



PART NO.	Tube O.D.
ASP	3/16, 1/4, 5/16, 3/8, 1/2

PSP - 卸卡器



PART NO.	Tube O.D.
NPSP	5/16, 3/8

• Available in metallic spanner

固定卡



PART NO.	Size (mm)	Qty / Box
AHOOK	19.5	

RA - Release Aid



PART NO.	Tube O.D.	Qty / Box
ARA 06	3/8	700
ARA 07	1/2	700
ARA 08	5/8	600
ARA 10	7/8	500

PART NO.	Tube O.D. (mm)	Qty / Box
ARA 10M	10	700
ARA 12M	12	700
ARA 12M	12	600
ARA 15M	15	600
ARA 16M	16	600
ARA 18M	18	500
ARA 22M	22	500
ARA 28M	28	500

HTC - 手持式管割刀



PART NO.	Tube O.D. (Minimum)	Tube O.D. (Maximum)
NHTC 08	5/32(4mm)	5/8 (16mm)

TC - 管割刀



PART NO.	Tube O.D.	Qty / Box
TC	MAX. DIA 1/2" or 13mm	40

• 管割刀刀口适合13mm以下塑料管。

TLC - 管锁



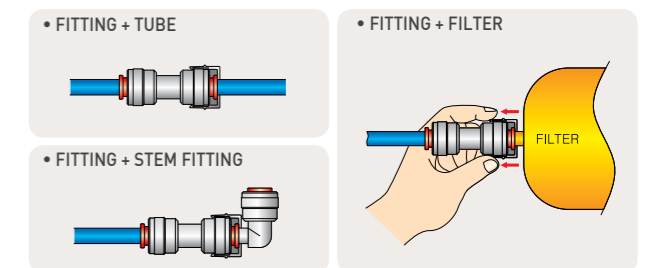
PART NO.	Tube O.D.	Qty / Box
NTLC 08	5/8(16mm)	200

EFCAP - Easy Fitting CAP



PART NO.	Tube O.D.	Qty / Box
AEFCAP 04	1/4	1000

• Fittings need to be separated from the Tank and The Filter, Especially under the pressure It can offer a solution : EASY and Quick Separation by Using The Cap.



聚乙烯管线



- DMT管子由高质量的低密度聚乙烯生产，与其它普通管子相比，最大的优势在于对环境质量的保护，通过了ASTM D-1693的测试。环境压力的变化会缩短管子的寿命，我们的管子获得了ANSI/NSF-51, 61, SK,WRAS和FDA食品级认证。管子有多种颜色可供选用。
- 稳定的尺寸
- 长期的强度
- 高抗压性
- 强延展力
- 各种各样的颜色
- 应用于使用DMfit和其他产品的生产商

Working Pressure and Temperature

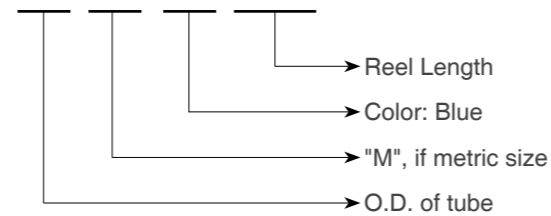
Parameter	Size					
	5/32"	3/16"	1/4"	5/16"	3/8"	1/2"
	4mm	5mm	6mm	8mm	10mm	12mm
Pressure	230 psi			170 psi		
Tube Tolerances	-0.1mm / +0.1mm					
Temperature	Air -20°C(-4°F) ~ 65°C(150°F) Liquid					

* 压力值是基于PE管在常温中使用。

* 当需持续在高温，高压中使用，请咨询我们的销售代表。

Order Information

DPE 04 (M) - B - 0500



Colors Available

Suffix	Color	LLDPE											PE-RT			
		5/32"	3/16"	1/4"	5/16"	3/8"	1/2"	4mm	5mm	6mm	8mm	10mm	12mm	15mm	1/4"	5/16"
B	Blue	○	○	○	○	○	○	○	○	○	○	○	○	○	○	○
Y	Yellow	○	○	○	○	○	○	○	○	○	○	○	○	○	○	○
W	White	○	○	○	○	○	○	○	○	○	○	○	○	○	○	○
N	Natural	○	○	○	○	○	○	○	○	○	○	○	○	○	○	○
BK	Black	○	○	○	○	○	○	○	○	○	○	○	○	○	○	○
R	Red	○	○	○	○	○	○	○	○	○	○	○	○	○	○	○
GR	Gray	○	○	○	○	○	○	○	○	○	○	○	○	○	○	○
G	Green	○	○	○	○	○	○	○	○	○	○	○	○	○	○	○

TC - Tube Cutter

- 管割刀刀口适合13mm以下塑料管



Inch Size

Part No.	Material	O.D.In.	I.D. In.	Wall	Reel Length (Meter)
DPE 01	LLDPE	5/32"	0.094	0.031	500
DPE 03	LLDPE	3/16"	0.125	0.031	400
DPE 04	LLDPE	1/4"	0.17	0.04	300
DPE-RT 04	PE-RT	1/4"	0.17	0.04	300
DPE 05	LLDPE	5/16"	0.216	0.048	200
DPE-RT 05	PE-RT	5/16"	0.216	0.048	200
DPE 06	LLDPE	3/8"	1/4"	0.062	150
DPE 07	LLDPE	1/2"	3/8"	0.062	100

Metric Size

Part No	Material	O.D.In.	I.D. In.	Wall	Reel Length (Meter)
DPE 04M	LLDPE	4	2.5	0.75	500
DPE 05M	LLDPE	5	3.5	0.75	400
DPE 06M	LLDPE	6	4	1	300
DPE 08M	LLDPE	8	6	1	200
DPE 10M	LLDPE	10	7	1.5	150
DPE 12M	LLDPE	12	9	1.5	100
DPE 12M	LLDPE	12	9	1.5	100
DPE 15M	LLDPE	15	11.5	1.75	70

CHEMICAL COMPATABILITY TABLES

DMfit® has excellent resistance to exposure to organic compounds, industrial chemicals, and gases.

Resistance of chemical characteristics for plastic resins & elastomers.

Description (% , °C)	Brass	SUS	Resin		Rubber	
			Acetal	PP	NBR	EPDM
Caustic soda(10%, 20°C)	△	△	◎	○	○	◎
Gasoline	○	○	◎	△	◎	×
Formic acid(25%, 20°C)	×	△	×	◎	○	◎
Air	◎	◎	◎	◎	◎	◎
Mineral oil	○	○	◎	○	◎	×
Grease	○	◎	◎	△	◎	×
Sodium silicate	○	-	◎	◎	◎	◎
Glycerin	○	◎	◎	◎	◎	◎
Ozone	○	○	△	△	○	◎
Animal oil(Lard oil)	○	-	◎	○	◎	○
Kerosene	◎	◎	◎	◎	◎	×
Methane	○	-	◎	◎	◎	×
Methyl alcohol(Methanol)	◎	△	○	○	◎	◎
Water(24°C)	○	○	◎	◎	◎	◎
Water(100°C)	×	○	△	△	-	-
Sea water	△	○	◎	◎	-	-
Bunker oil	△	-	-	○	◎	-
Benzene(Benzol)	×	△	○	△	×	×
Butane	◎	◎	◎	◎	◎	×
Fluorine	×	×	×	×	-	△
Boric acid	○	○	○	◎	◎	◎
Carbon tetrachloride	△	△	○	△	△	×
Oxygen	◎	◎	○	○	○	◎
Petroleum	-	-	○	×	◎	×
Soda ash(Sodium carbonate)	○	△	◎	◎	◎	◎
Calcium hydroxide	△	△	◎	○	◎	◎
Hydrogen	△	◎	◎	◎	◎	◎
Mercury	×	-	-	◎	◎	◎
Steam(150°C)	○	-	△	×	×	◎
Sodium cyanide	×	-	-	-	◎	◎
Vegetable oil	-	-	○	○	◎	◎
Silicone greases	-	-	◎	△	◎	◎
Silicone oil	-	-	◎	△	◎	◎
Acetone	◎	△	○	△	×	◎
Sulfurous acid gas	-	-	△	○	○	○
Ammonia	△	◎	○	○	◎	◎
Liquefied petroleum gas(LPG)	◎	◎	◎	○	◎	×
Ethyl alcohol(Ethanol)	◎	◎	◎	○	◎	◎

Description (% , °C)	Brass	SUS	Resin		Rubber	
			Acetal	PP	NBR	EPDM
Lye solution	-	-	◎	○	○	◎
Hydrochloric acid(10%, 20°C)	×	×	○	◎	-	-
Hydrochloric acid(20%, 20°C)	×	×	△	○	-	-
Hydrochloric acid(20%, 80°C)	×	×	×	×	×	△
Hydrochloric acid(38%, 20°C)	×	×	△	○	○	◎
Ammonium chloride	×	△	○	◎	◎	◎
Calcium chloride	○	△	◎	◎	◎	◎
Naphtha	△	○	◎	△	△	×
Olive oil	△	◎	○	◎	◎	○
Sulfur	×	○	◎	◎	×	◎
Sodium phosphate	×	△	○	◎	◎	◎
Ammonium phosphate	△	△	○	◎	◎	◎
Ammonium nitric	×	○	○	◎	◎	◎
Nitrogen	○	◎	◎	◎	◎	◎
Natural gas	◎	◎	◎	○	◎	×
Acetic acid(10%, 20°C)	-	-	-	-	-	-
Acetic acid(50%, 20°C)	-	-	-	-	-	-
Acetic acid(50%, 70°C)	-	-	-	-	-	-
Acetic acid(100%, 20°C)	-	-	-	-	-	-
Ketones	○	○	○	◎	-	○
Cresol	○	△	△	○	△	×
Chromic acid(2%, 70°C)	×	×	×	△	-	-
Chromic acid(10%, 70°C)	×	×	×	×	-	-
Chromic acid(25%, 70°C)	×	×	×	×	-	-
Chromic acid(2%, 50°C)	×	×	△	△	×	○
Soybean oil	△	○	◎	○	◎	△
Toluene	◎	◎	◎	△	×	×
Glucose	◎	◎	◎	◎	◎	◎
Propane	◎	◎	◎	◎	◎	×
Castor oil	○	○	○	◎	◎	○
Sulfuric acid(10%, 20°C)	×	×	○	○	×	○
Sulfuric acid(10%, 70°C)	×	×	×	△	-	-
Sulfuric acid(30%, 20°C)	×	×	△	○	-	-
Sulfuric acid(30%, 70°C)	×	×	×	△	-	-
Sulfuric acid(98%, 20°C)	×	×	×	×	-	-
Aluminium sulfate	×	○	○	◎	◎	◎
Potassium sulfate	○	△	○	◎	◎	◎
Hydrogen sulfide	△	△	○	◎	×	◎

※ ◎ : Very acceptable ○ : Acceptable △ : Slightly Unacceptable × : Unacceptable - : No data

Resistance of chemical characteristics for Tube.

Name of chemical	Polyethylene	Remarks
Air	◎	
Alcohol	◎	
Ammonia gas	◎	
Ammonia liquid	○	high temperature△
Beer	◎	
Benzene	△	
Bromine liquid	×	
Carbon dioxide gas	○	
Caustic soda	○	
Diesel fuel	△	
Ethyl alcohol	○	high temperature△
Fluor gas, dry	×	
Fuel Oil	△	

Name of chemicals	Polyethylene	Remarks
Hexane	△	
Hydrogen gas	◎	
Lighting gas	△	
Mercury	◎	
Methanol (Methyl Alcohol)	◎	
Milk	◎	
Molasses	◎	
Nickel salts	◎	
Oils, essential	△	
Propane gas	△	
Spindle Oil	△	
Water, high-purity	◎	

※ : Very acceptable, ○: Acceptable, △: Slightly unacceptable, ×: Very unacceptable
 ※ Differences in data can exist due to extended duration and elevated temperature (Standard data reflects use at ambient temperature.)
 ※ Consult our representative when using unsuitable liquids.

GLOBAL SALES



Head Office & Factory

143B-3L 27, Namdongdong-ro, 77beon-gil, Namdong-gu, Incheon, KOREA

TEL : +82-32-812-7311~3 FAX : +82-32-812-7314

www.dmfit.com, global@dmfit.com